

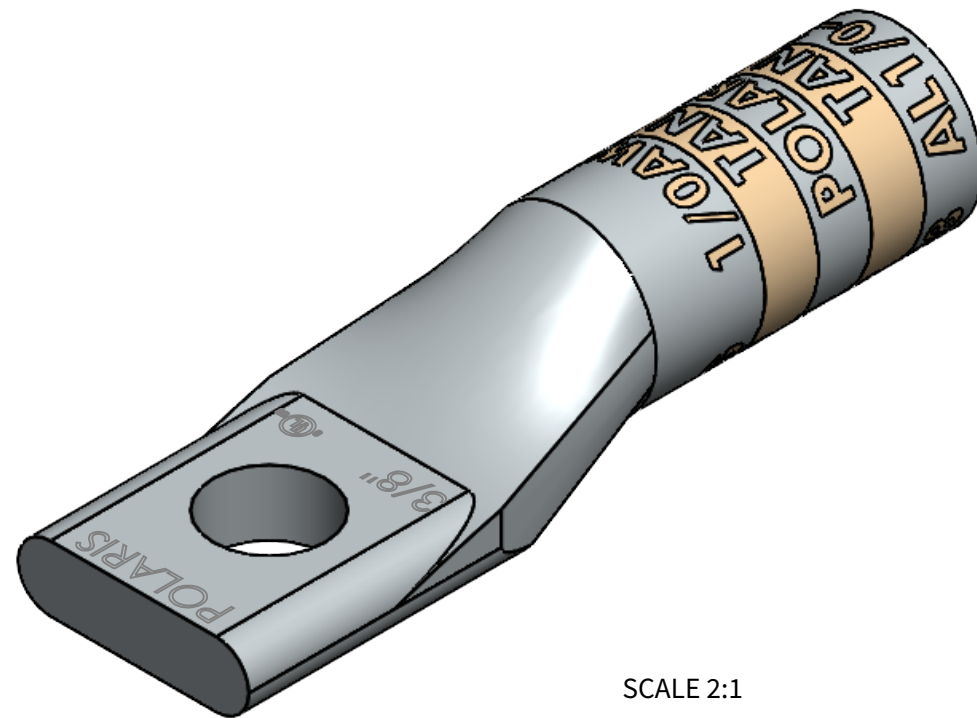
FEATURES:

1. Material: Tin Plated Aluminum
2. UL listed for U.S. & Canada.
3. Wire connector rated for 35Kv max.
4. Class B/C compressed, concentric, and compact conductor.
5. Dual rated AL9CU.
6. Expanded wire range when installed with dieless NSi compression tool (N121D).
7. Dimensions are for reference only, tolerance is +/- .06".V

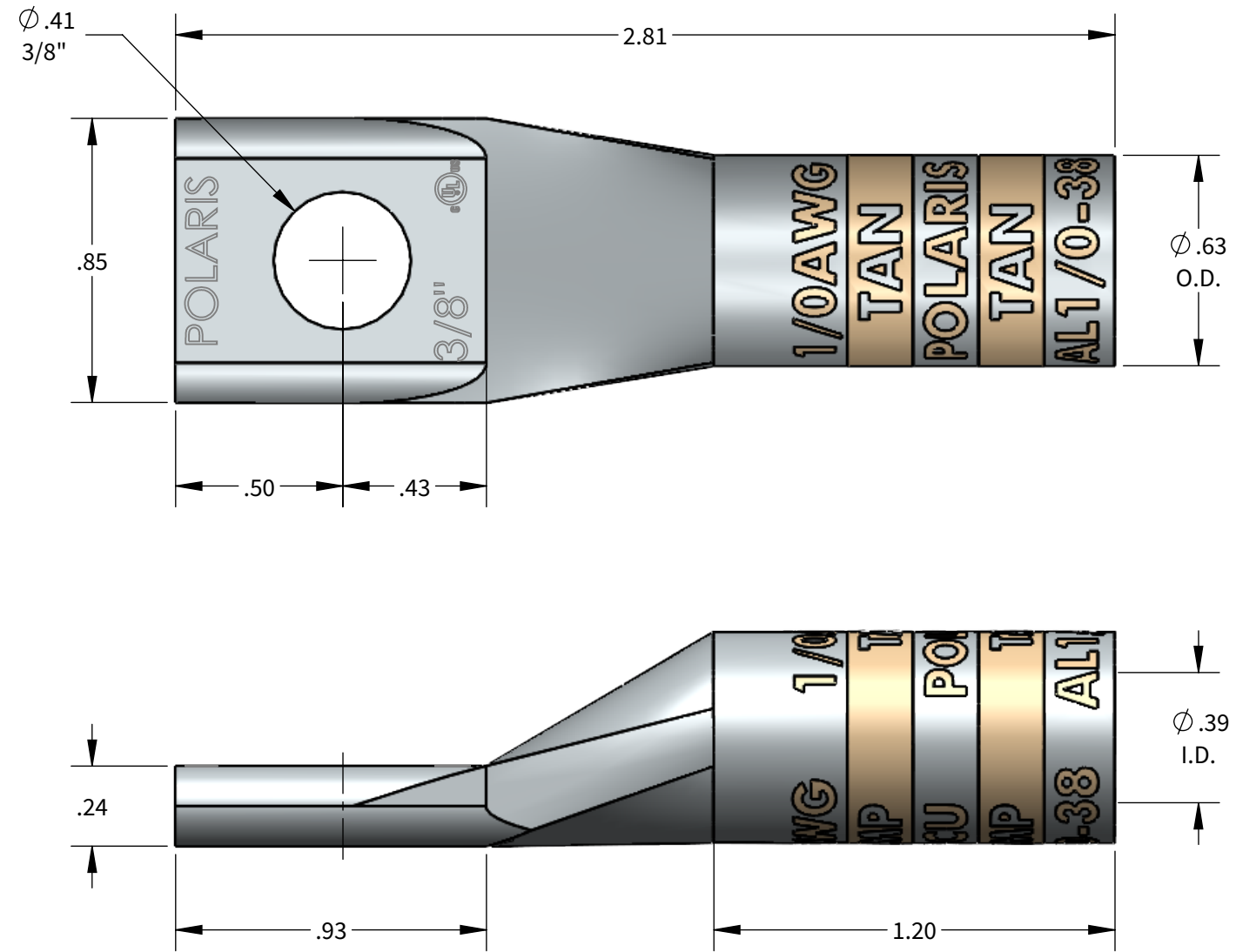
AL Series: AL1/0-38



| | |
|------------|------------|
| PROGRAM: | SOLIDWORKS |
| UPDATED: | 4/2022 |
| SALES REV: | A |
| SIZE: | B (11x17) |



SCALE 2:1



ALUMINUM COMPRESSION CONNECTOR TOOL AND DIE CHART (# OF CRIMPS)

| WIRE SIZE | STRIP LENGTH | DIE COLOR | ALUMINUM COMPRESSION CONNECTOR TOOL AND DIE CHART (# OF CRIMPS) | | | |
|-----------|--------------|-----------|---|--------------|--------------|---------------------|
| | | | NSI | GREENLEE | BURNDY | |
| | | | EXPANDED WIRE RANGE W/ N121D | N1240 SERIES | 1240 SERIES | Y-35, Y750, PAT 750 |
| 1/0AWG | 1-1/4" | TAN | 1/0AWG-#6AWG | KA12-1/0 (2) | KA12-1/0 (2) | U25ART (2) |

