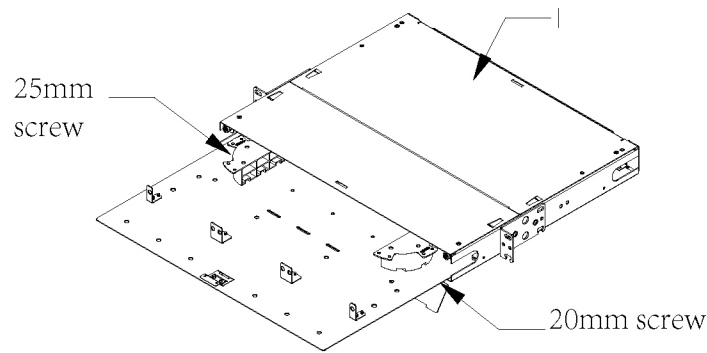
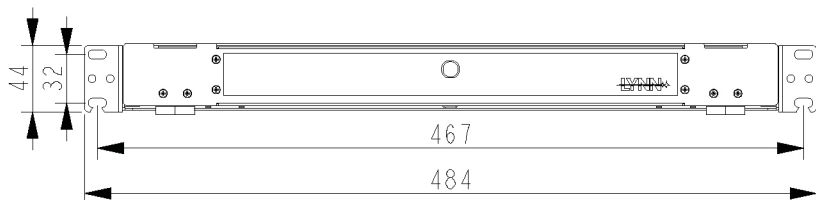
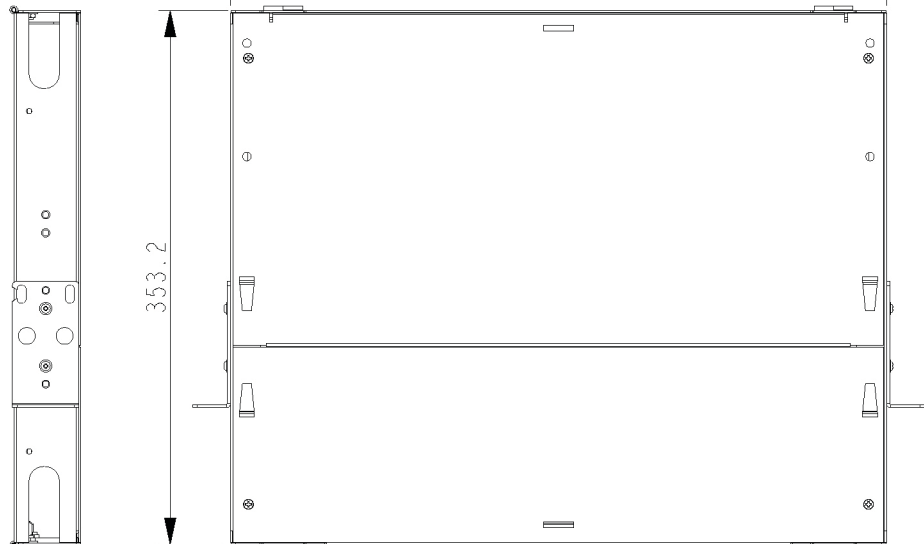
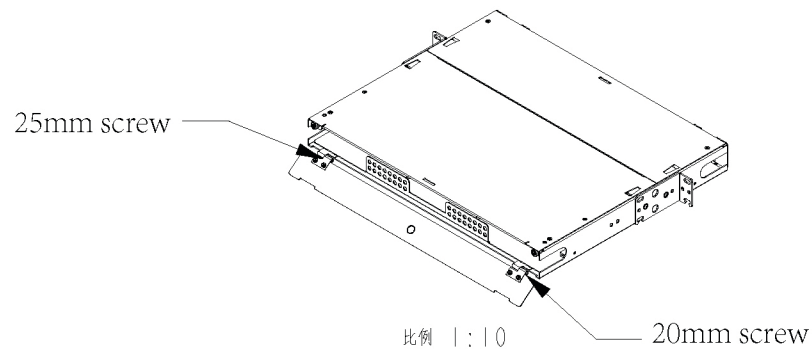


REV.	ECN	DESCRIPTION	SIGN	DATE
A4				2020-11-23
A5				2021-12-1



比例 1:10



比例 1:10

Materials: SPCC with black cold painting.

I	FPP-03-RI-03-V3-10000	FPP-03-RI-03-V3	SPCC	I	
NO.	NAME	DESCRIPTION	MATERIAL	QTY	NOTE
DRAW		A/R	1:5	PRODUCTS NO.	FPP-03-RI-03-V3
UNIT	mm	CHK		PRODUCTS NAME	FPP-03-RI-03-V3
REV.	A5	APR		PARI NO.	
DATE	2019-10-23	MAT'L	SPCC		
FIG NO.:	FPP-03-RI-03-V3-00000				