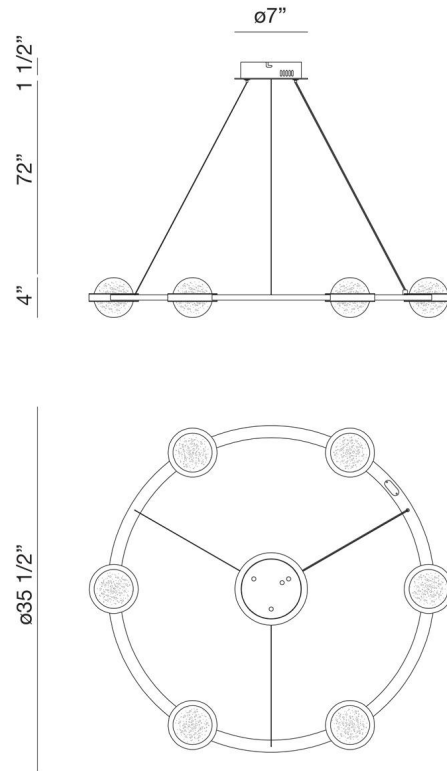


JOB NAME:

DATE:

TYPE:

COMMENTS:



**LIGHT INFORMATION**

Light Type	Integrated LED
CRI	90
Delivered Lumens	2200
Color Temperature	3500K
LED Lifespan (L70)	20000
Number of Lights	6
Light Direction	Ambient
Dimming Method	Triac/Elv
Current Type	DC
Input Voltage	120
Total Wattage	34

**DIMENSIONS & WEIGHT**

Height (In)	4
Min Height (In)	25.5
Max Height (In)	77.5
Diameter (In)	35.5
Weight (Lbs)	22.92

**INSTALLATION**

Mounting Type	J-Box
Rating	Dry
Hanging Support Type	Aircraft Cable

**PRODUCT FINISH**

Matte Black

**SHADE FINISH**

Globe Clear Glass

**CERTIFICATIONS & COMPLIANCE**

