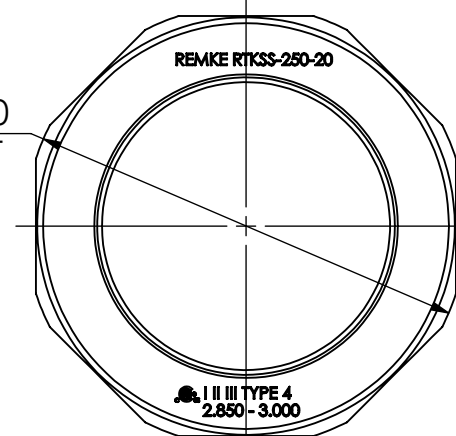
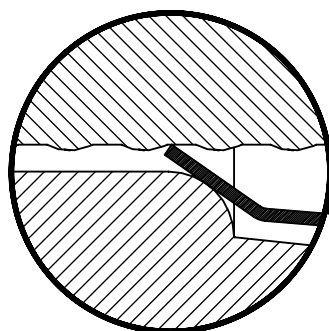


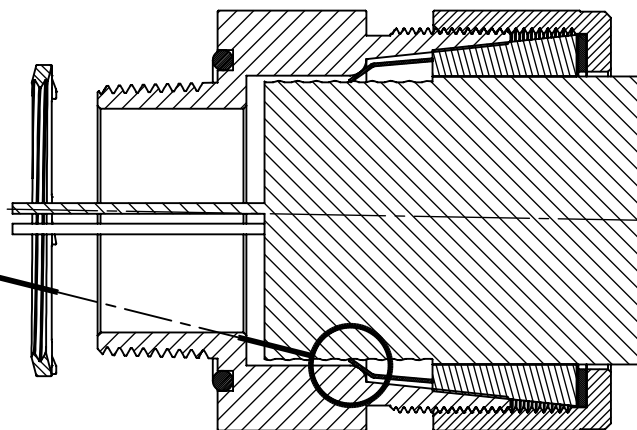
Ø 4.60
NUT



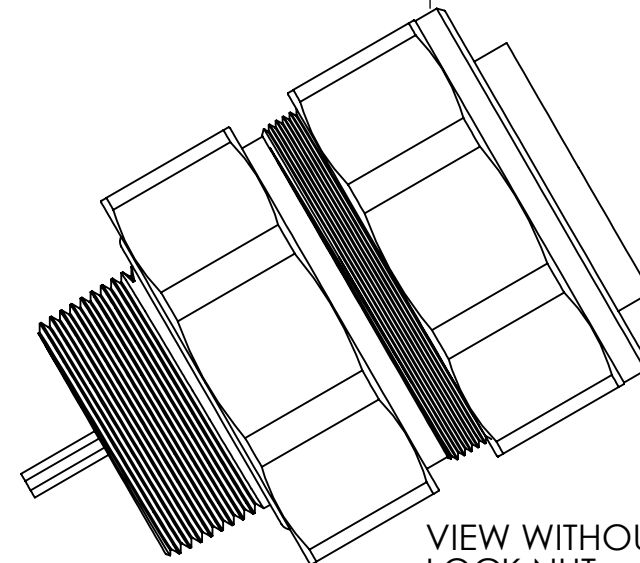
LOCK NUT
OPTIONAL
ADD: L



DETAIL B
SCALE 2 : 1



SECTION A-A



VIEW WITHOUT
LOCK NUT



REV.	DATE	CHANGE
A	7/30/14	RELEASED DRAWING

UNLESS OTHERWISE SPECIFIED:

DIMENSIONS ARE IN INCHES
TOLERANCES:
FRACTIONAL ± 1/64
ANGULAR: MACH ± 1° BEND ± 1°
ONE PLACE DECIMAL ± .015
TWO PLACE DECIMAL ± .010
THREE PLACE DECIMAL ± .005

INTERPRET GEOMETRIC
TOLERANCING PER:

MATERIAL
STAINLESS

FINISH

DO NOT SCALE DRAWING

	NAME	DATE
DRAWN	JCN	7/14
CHECKED		
ENG APPR.		
MFG APPR.		
Q.A.		

PROPRIETARY AND CONFIDENTIAL
THE INFORMATION CONTAINED IN THIS
DRAWING IS THE SOLE PROPERTY OF
REMKE INDUSTRIES. ANY REPRODUCTION
IN PART OR AS A WHOLE WITHOUT THE
WRITTEN PERMISSION OF REMKE INDUSTRIES
IS PROHIBITED.

REMKE
REMKE INDUSTRIES
310 CHADDICK DR, WHEELING, IL. 60090

TITLE:

SIZE DWG. NO.
A **RTKSS-250-20**

SCALE: 1:2

SHEET 1 OF 1