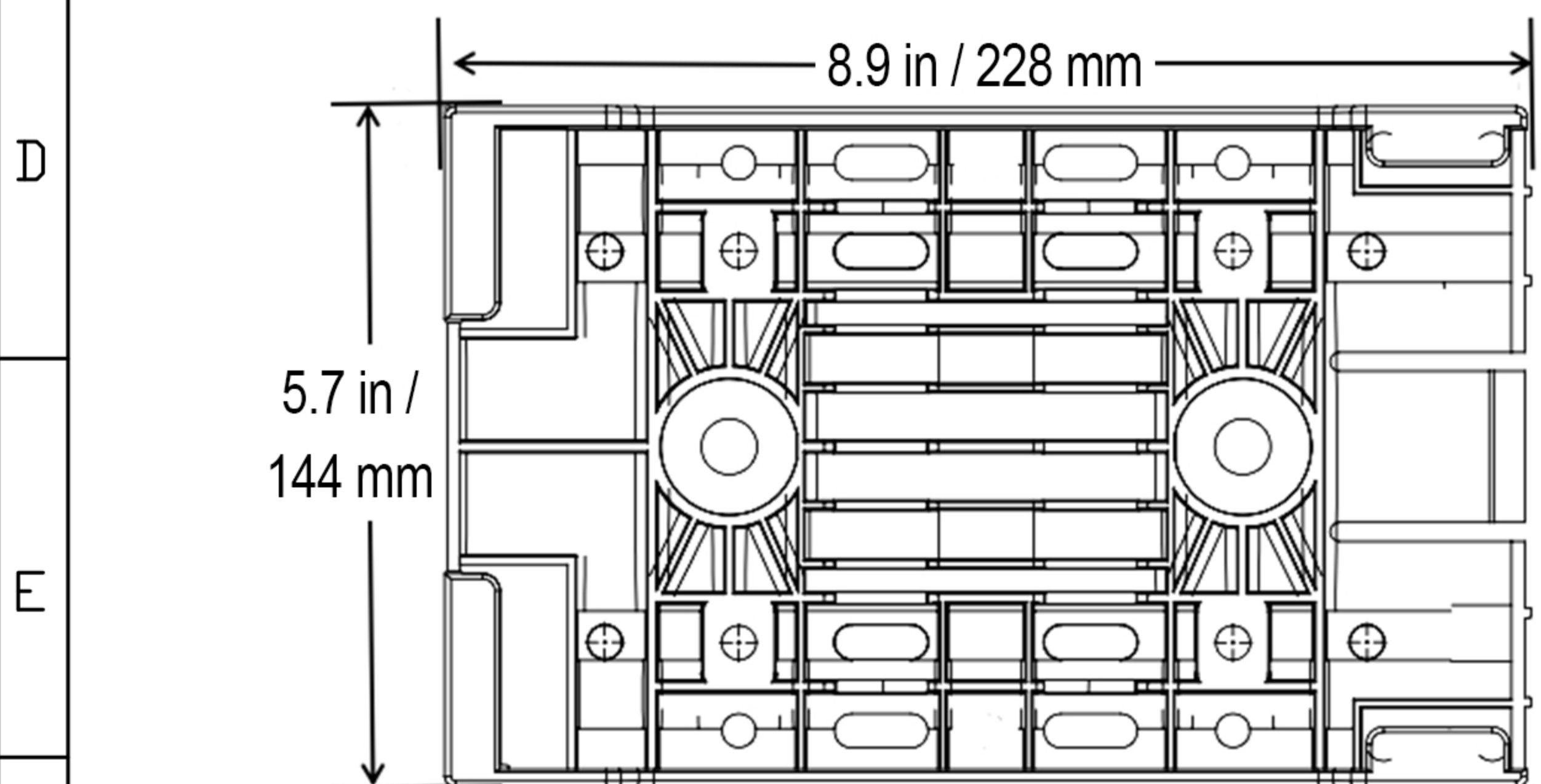
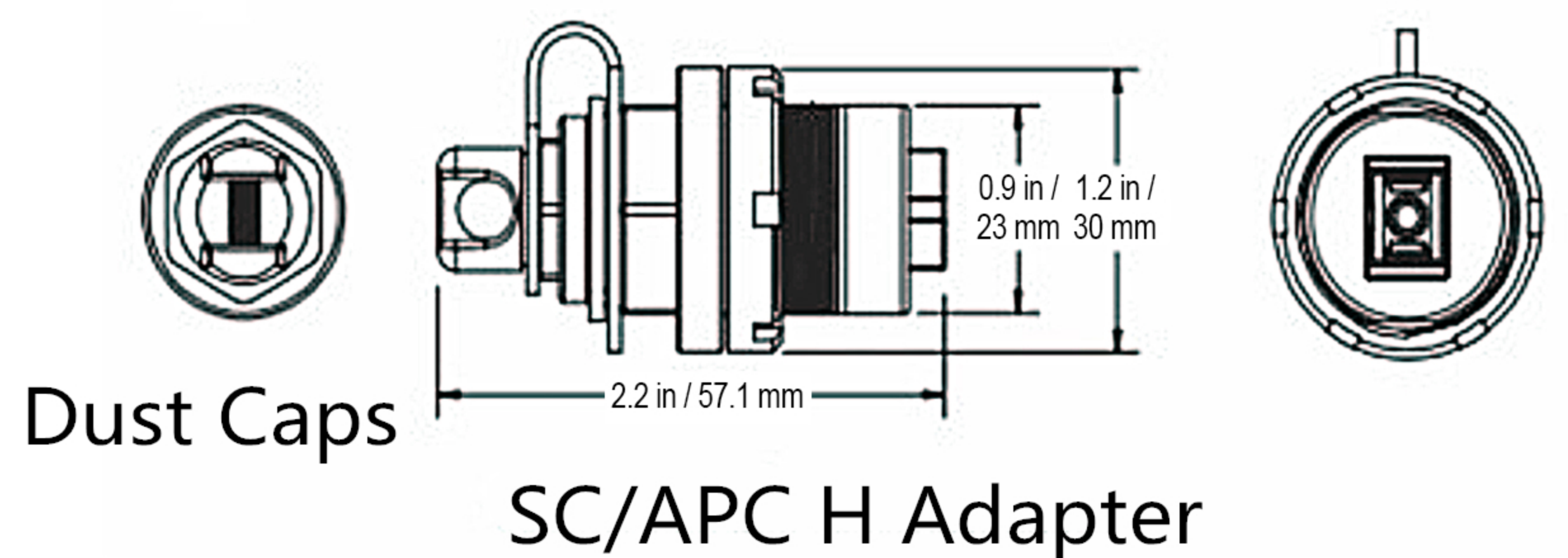


HyperDrop MST-Rapid Deploy Outdoor Terminal



HyperDrop MST Base



UNLESS OTHERWISE SPECIFIED TOLERANCE TO BE		NOTICE - These drawings are remain the property of			A	FIRST ISSUE	20-01-11	ALSN	
LINEAR	ANGULAR				REV.	DESCRIPTION	APVD	DATE	ECO No
X.X ± .5	X' ± 1'	MATL:	PER BOM	DRN:	DATE:20-01-11	TITLE:			
X.XX ± 0.10	X'X' ± 30'	FINISH:	---	CKD:	DATE:20-01-11	HyperDrop MST-6F			
X.XXX ± 0.050	X'X'X' ± 15'	REF.:		APVD:	DATE:20-01-11	DRAWING NO.			
BREAK ALL SHARP EDGES AND REMOVE ALL BURRS		DO NOT SCALE			SCALE: N.T.S.	PART No	HDMST-062FA-xxxF	SIZE:	SHEET 1 OF 1

