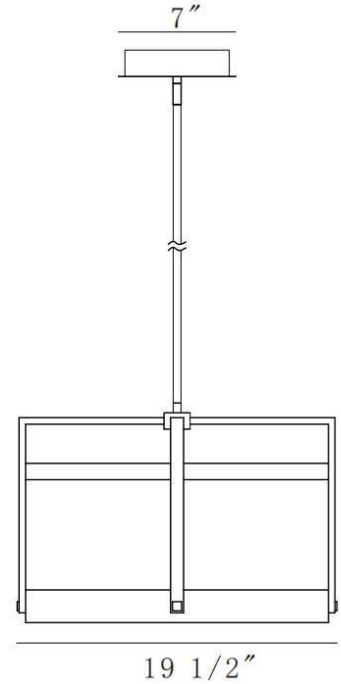
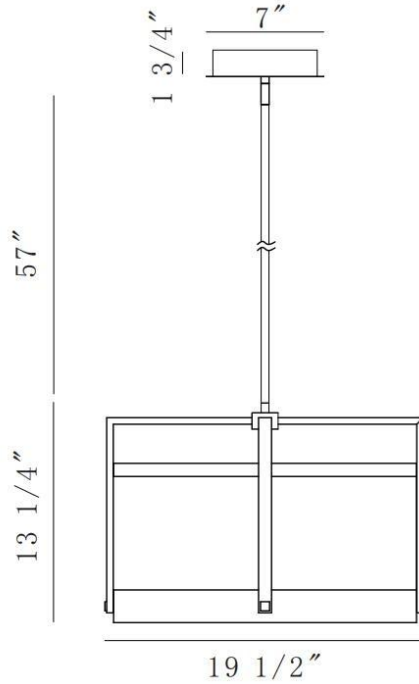


JOB NAME:

DATE:

TYPE:

COMMENTS:



**LIGHT INFORMATION**

Light Type	Integrated LED
CRI	90
Delivered Lumens	1020
Color Temperature	3500K
LED Lifespan (L70)	20000
Light Direction	Ambient
Dimming Method	Triac/Elv
Current Type	DC
Input Voltage	120
Total Wattage	55

**DIMENSIONS & WEIGHT**

Length (In)	19.5
Width (In)	19.5
Height (In)	13.25
Min Height (In)	17.75
Max Height (In)	71.75
Weight (Lbs)	14.33

**INSTALLATION**

Mounting Type	J-Box
Rating	Dry
Hanging Support Type	Rod

**PRODUCT FINISH**

Matte Black

**SHADE FINISH**

Rectangle Clear Acrylic

**CERTIFICATIONS & COMPLIANCE**

