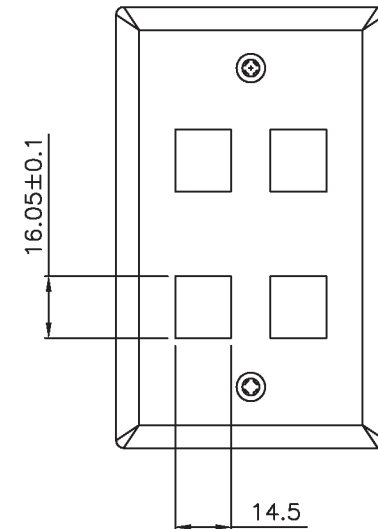
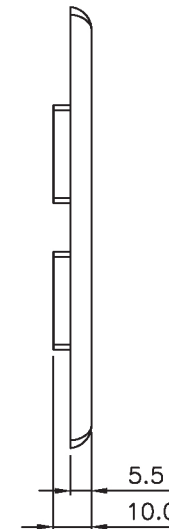
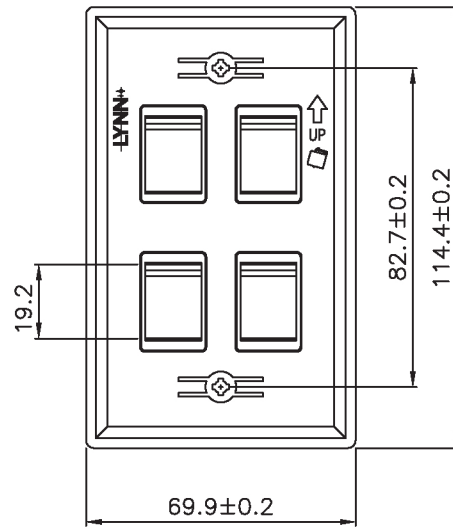


SCALE 1/2



Specification :

- Material :
1. Plate : ABS V0, Color optional.
 2. Screw : 6#32TX24iso.

GENERAL TOLERANCE OF DIMENSIONS x.xxx ±0.005 x.xx ±0.05 x.x ±0.1	DRAWING	8.AUG.2022		
	CHECK	8.AUG.2022		
	APPROVAL	8.AUG.2022		
		DATE	NAME	ITEM NO.: PRO-FP-KEY-4-x
SCALE	1/2 (A4)	UNIT	mm	DES.: Vertical 4 Port
		DRAWING NO. LYNN		
		DRAWING CLASSIFICATION		
		S	SHEET	1 OF 1