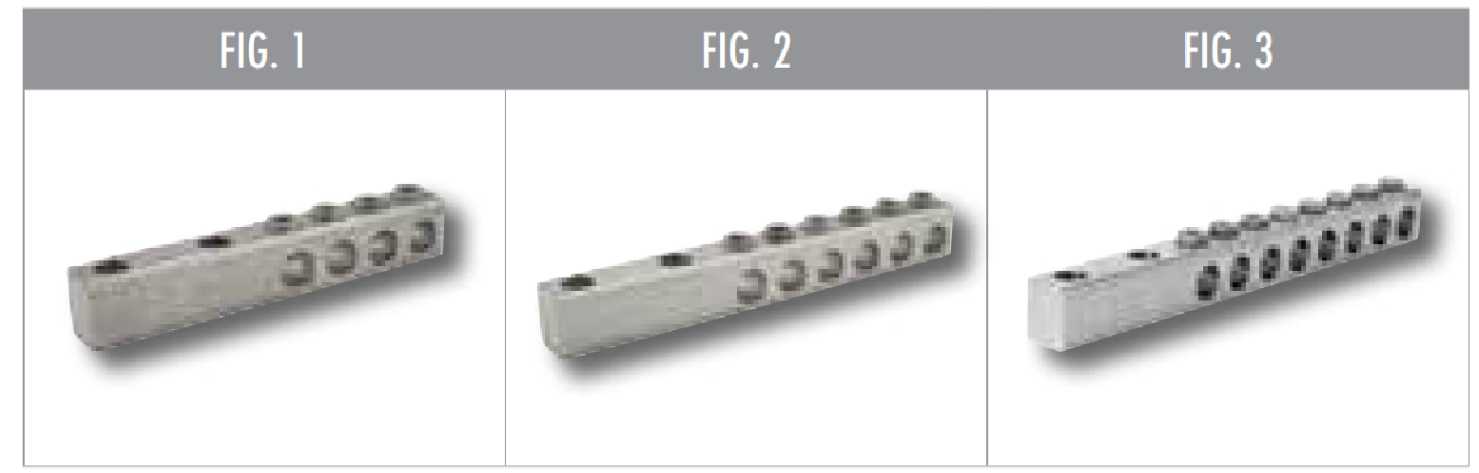
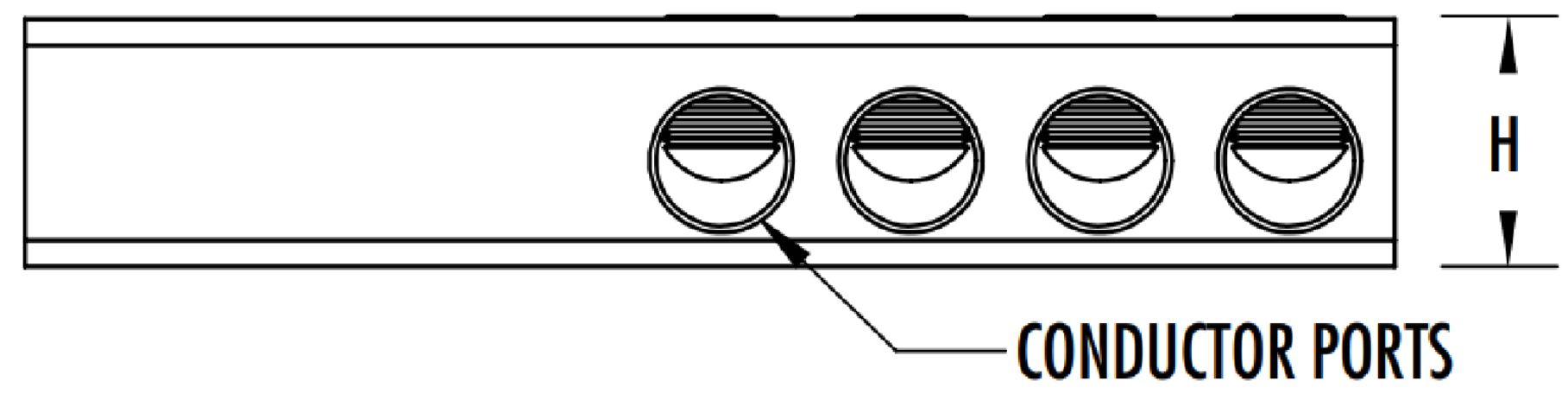
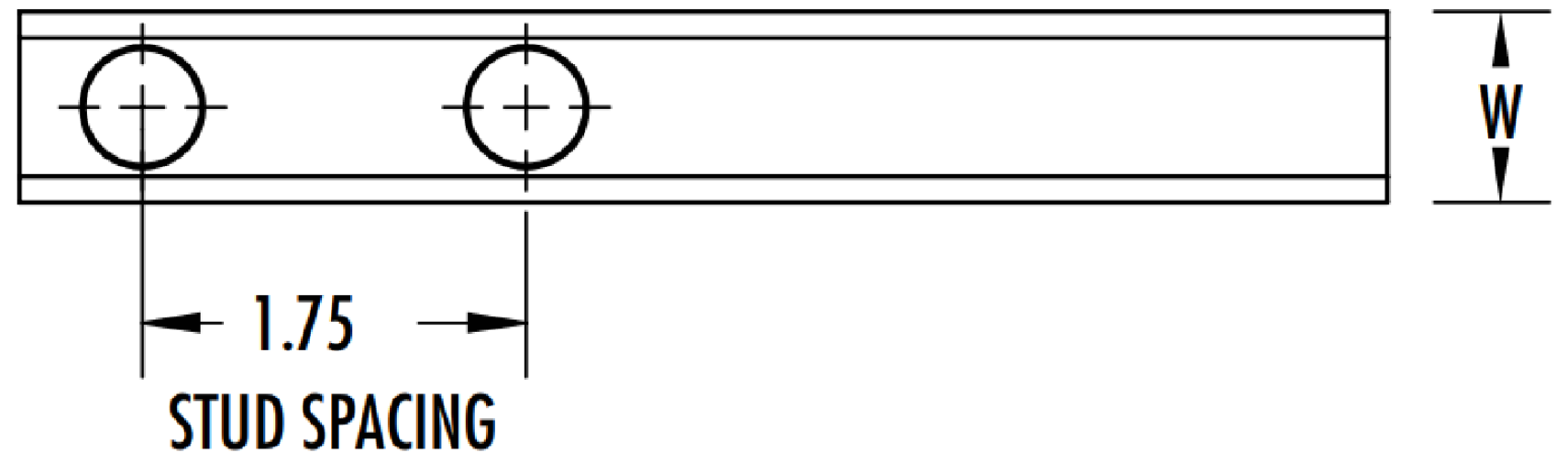
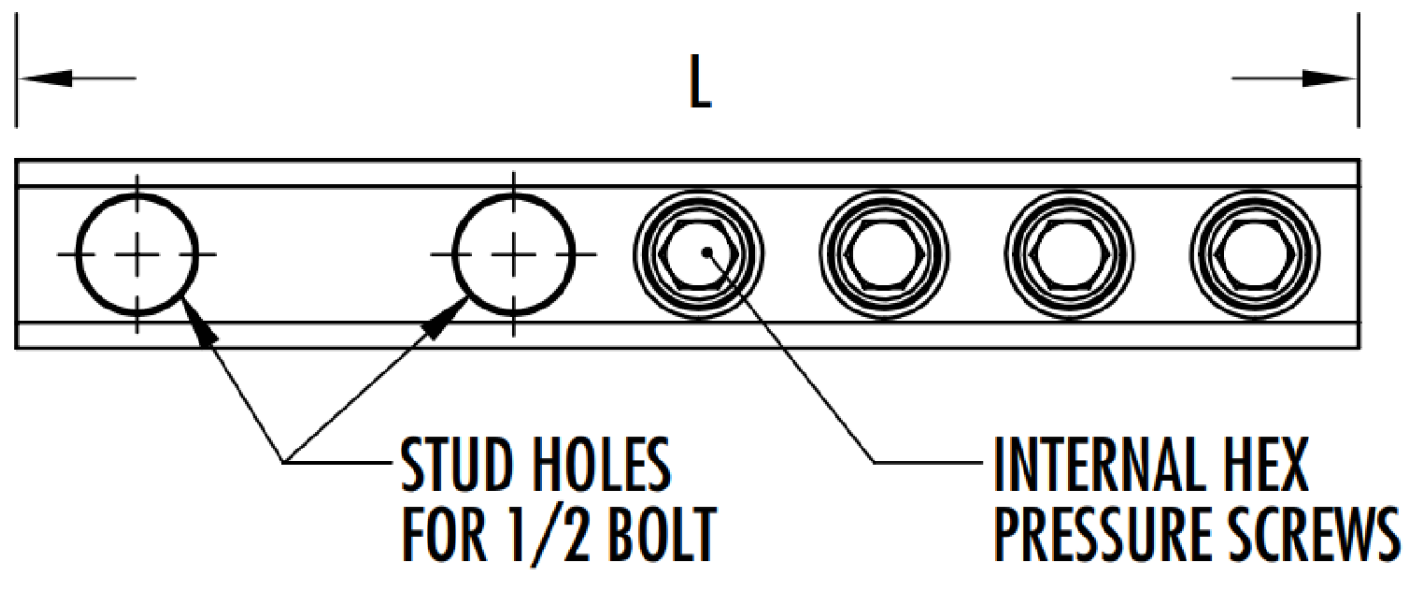


- FEATURES:**
1. Made from 6061T-6 aluminum alloy
  2. Electro-tin plated for low contact resistance.
  3. Two NEMA 1/2" holes for easy attachment.

- SPECIFICATIONS:**
1. Temperature Rating: 90 °C. AL9CU
  2. Voltage: 600V max.

## STL Series: Aluminum, Dual Rated, Transformer Stud Connectors



PART	# OF CONDUCTORS	WIRE RANGE	HEX SIZE	L	H	W
STL250-4	4	250KCMIL - 6 AWG	5/16	6.24	1.125	.875
STL250-6	6	250KCMIL - 6 AWG	5/16	7.96	1.125	.875
STL250-8	8	250KCMIL - 6 AWG	5/16	9.68	1.125	.875
STL350-4	4	350KCMIL - 6 AWG	5/16	6.96	1.44	1.00
STL350-6	6	350KCMIL - 6 AWG	5/16	9.06	1.44	1.00
STL350-8	8	350KCMIL - 6 AWG	5/16	11.16	1.44	1.00
STL500-4	4	500KCMIL - 4 AWG	5/16	7.50	1.63	1.13
STL500-6	6	500KCMIL - 4 AWG	5/16	9.74	1.63	1.13
STL500-8	8	500KCMIL - 4 AWG	5/16	12.03	1.63	1.13
STL750-4	4	750 - 250KCMIL	3/8	8.57	2.00	1.44
STL750-6	6	750 - 250KCMIL	3/8	11.42	2.00	1.44
STL750-8	8	750 - 250KCMIL	3/8	14.28	2.00	1.44