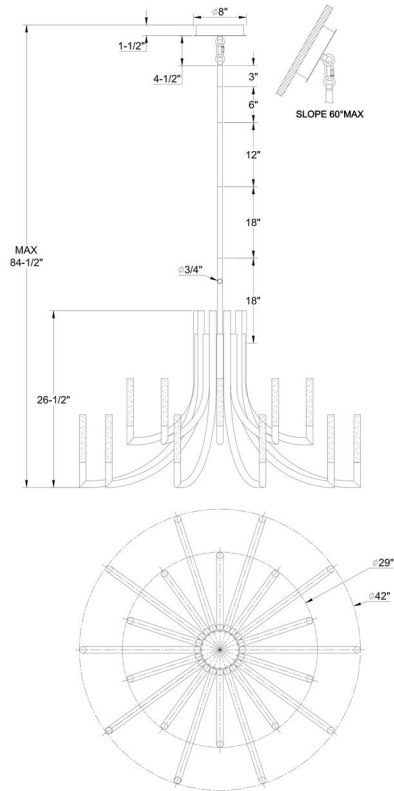


JOB NAME:

DATE:

TYPE:

COMMENTS:



LIGHT INFORMATION

Light Type	Integrated LED
CRI	90
Delivered Lumens	3873
Color Temperature	3500K
LED Lifespan (L70)	52000
Number of Lights	20
Light Direction	Ambient
Dimming Method	Triac/Elv
Current Type	DC
Input Voltage	120-277
Total Wattage	80

DIMENSIONS & WEIGHT

Height (In)	26.5
Min Height (In)	31
Max Height (In)	85
Diameter (In)	42
Weight (Lbs)	47.83

INSTALLATION

Mounting Type	J-Box
Rating	Dry
Hanging Support Type	Rod

PRODUCT FINISH

Matte Black

SHADE FINISH

Frosted Acrylic

PRODUCT FEATURES

Downlight (590 Delivered Lumens)

CERTIFICATIONS & COMPLIANCE

