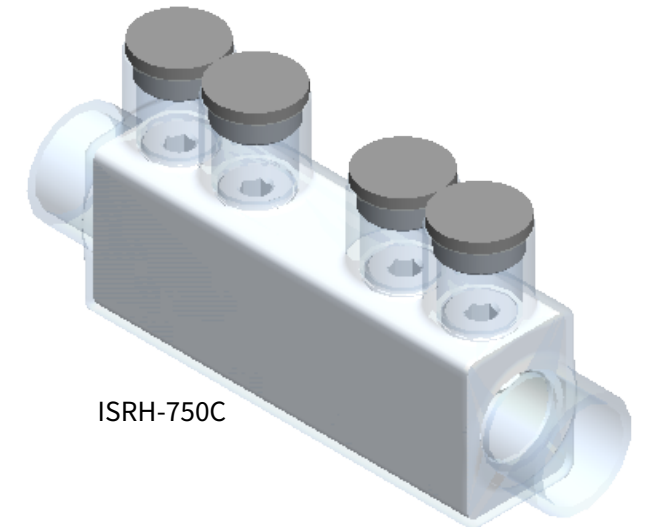
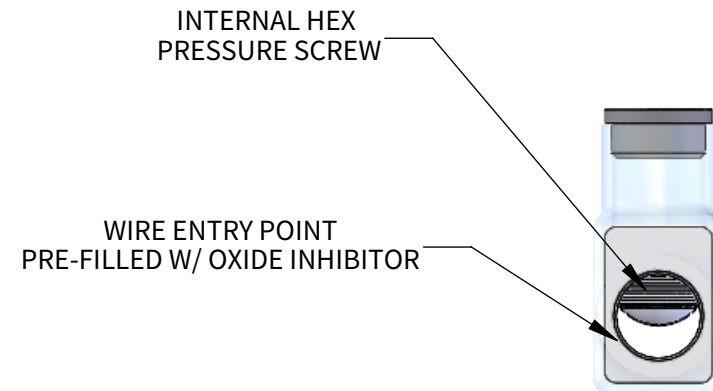
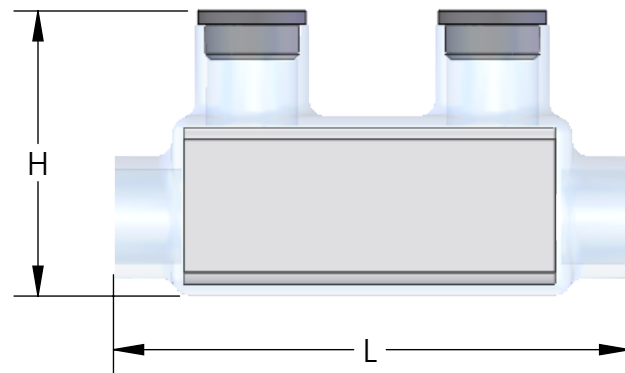
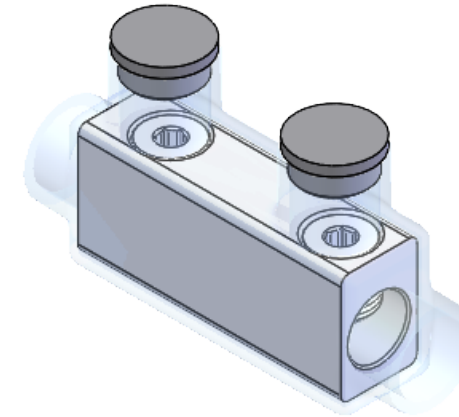
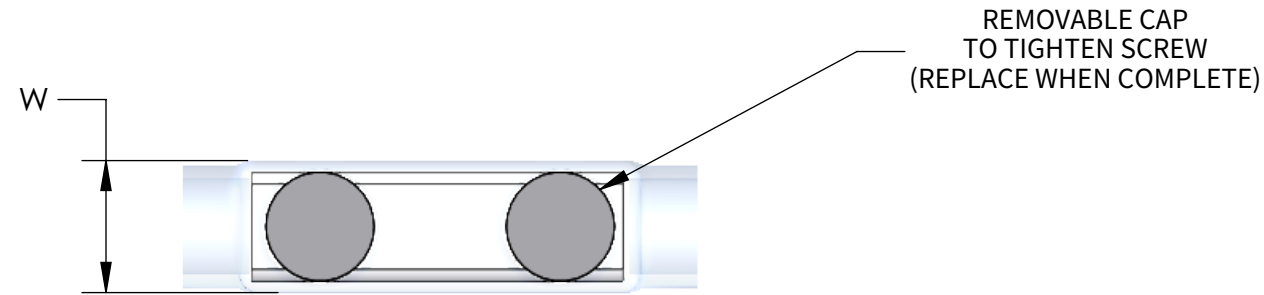


PROGRAM:	SOLIDWORKS
UPDATED:	11/6/2024
SALES REV:	A
SIZE:	B (11X17) (IN)



ISRH-750C

PART #	WIRE RANGE	HEX SIZE	L	H	W
ISR-4C	4 - 14 AWG	1/8	2.26	1.38	.80
ISR-2C	2 - 14 AWG	5/32	2.26	1.35	.80
ISR-1/0C	1/0 - 14 AWG	3/16	3.25	1.48	.90
ISR-2/0C	2/0 - 14 AWG	3/16	3.25	1.48	.90
ISR-3/0C	3/0 - 6 AWG	1/4	3.50	1.75	.95
ISR-250C	250 MCM - 6 AWG	5/16	4.00	1.90	1.19
ISR-350C	350 MCM - 10 AWG	5/16	4.47	2.20	1.32
ISR-500C	500 MCM - 4 AWG	5/16	4.62	3.00	1.62
ISR-600C	600 MCM - 6 AWG	5/16	5.83	3.30	1.75
ISRH-750C	750 MCM - 1/0 AWG	5/16	7.25	3.50	1.75

FEATURES:

- CONNECTOR MANUFACTURED FROM 6061-T6 ALUMINUM ALLOY.
- UL LISTED PER UL486A/B SPECIFICATIONS FOR 600V.
- DUAL RATED FOR 90 °C COPPER AND/OR ALUMINUM CONDUCTOR.
- COLD TEMPERATURE RATED TO -45 °C.
- HIGH DIELECTRIC STRENGTH INSULATION IS ABRASION AND CHEMICAL RESISTANT.

