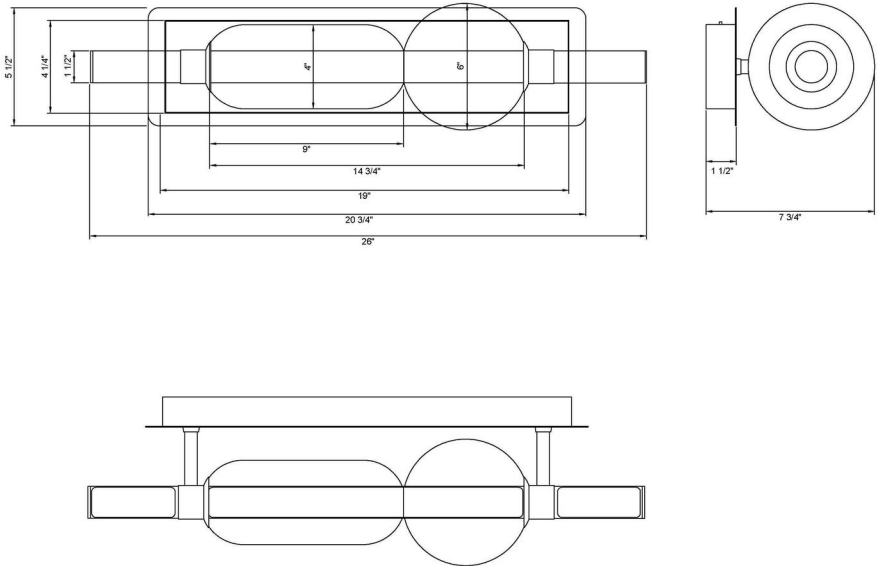


JOB NAME:

DATE:

TYPE:

COMMENTS:



**LIGHT INFORMATION**

Light Type	Integrated LED
CRI	90
Delivered Lumens	1310
Color Temperature	3000K-5000K
LED Lifespan (L70)	52000
Number of Lights	1
Light Direction	Multi
Dimming Method	Triac/Elv
Current Type	DC
Input Voltage	120-277
Total Wattage	26

**DIMENSIONS & WEIGHT**

Width (In)	26
Height (In)	5.8
Ext (In)	7.8
Weight (Lbs)	5.5

**INSTALLATION**

Mounting Type	J-Box
Rating	Damp
Hanging Support Type	J-Box

**PRODUCT FINISH**

Satin Nickel

**SHADE FINISH**

Clear Glass

**CERTIFICATIONS & COMPLIANCE**

