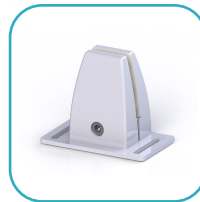


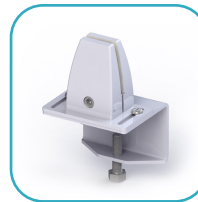
rightangle™ **ACRYLIC SHIELDS**

RightAngle™ Acrylic Shields are a modern solution to create barriers, provide privacy, and promote wellness.

- 3/16" thick acrylic, available in **Clear** or **Frosted**
- Multiple sizes available to fit your needs:
 - Shields are all **23.2"** tall (24" total height with mounting brackets)
 - Fits worksurface depths of **24"** or **30"**
 - Fits worksurface widths of **36"**, **42"**, **48"**, **60"**, **66"** or **72"**
 - **Custom sizes** available - contact Customer Service (sizes up to 23.2" tall and 97" wide, fee may apply)
- **Bacteria and moisture resistant.** Easily disinfected without affecting quality (when following cleaning guidelines on our website).
- **Easy installation** - will work with most worksurfaces
- **Corner Support Clips** are included for added stability
- Each shield requires a minimum of 2 **mounting brackets** (brackets purchased separately; 54" and wider require 3 mounting brackets)



Surface Mounting Bracket (with screws & 2-sided adhesive)



Adjustable Clamp Mounting Bracket



Cubicle Panel Mounting Bracket



Free Standing Mounting Bracket

- Visit raproducts.com/acrylicshields.php for full product details

GSA Contract Holder
Contract #GS-28F-0035M | SIN #33721

800.298.4351

orders@raproducts.com

Model #	Size of Worksurface	ACRYLIC SHIELDS
XPSSP2424_	24" D	23.2" x 23" Side Panel
XPSSP2430_	30" D	23.2" x 29" Side Panel
XPSBP2436_	36" W	23.2" x 33.5" Back Panel
XPSBP2442_	42" W	23.2" x 39.5" Back Panel
XPSBP2448_	48" W	23.2" x 45.5" Back Panel
XPSBP2460_	60" W	23.2" x 57.5" Back Panel
XPSBP2466_	66" W	23.2" x 63.5" Back Panel
XPSBP2472_	72" W	23.2" x 69.5" Back Panel

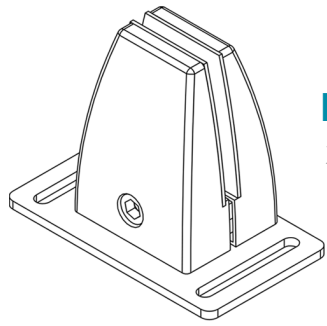
Model #	MOUNTING BRACKETS
XPSSMKS	Surface Mounting Bracket
XPSCMKS	Adjustable Clamp Mounting Bracket
XPSFSKS	Free Standing Mounting Bracket
XPSCPKS	Cubicle Panel Mounting Bracket



SHIPPING INCLUDED

BRACKET-ONLY purchase available with additional fee. See website or back for model numbers.

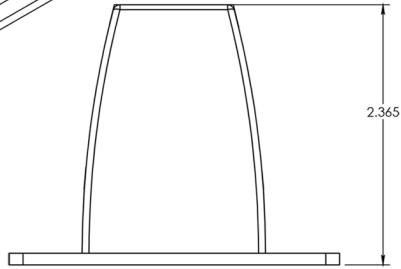
Add **F** (Frosted) or **C** (Clear) at the end of Model # to specify finish. Corner Support Clips included.



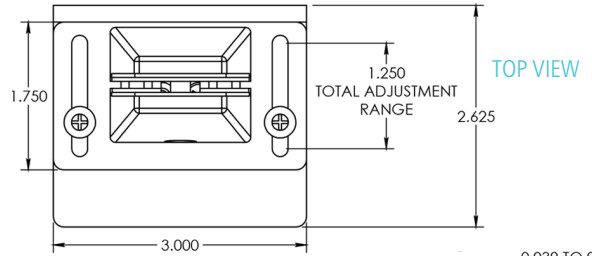
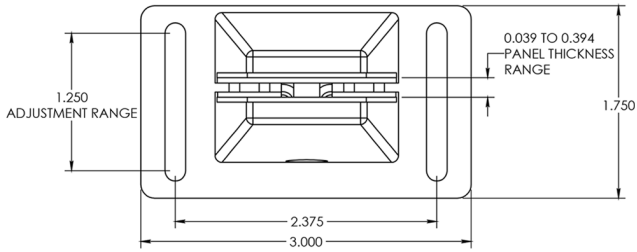
Surface Mounting Bracket

XPSSMKS | XPSSMKNAS
(with acrylic) | *(bracket-only)*

SIDE VIEW

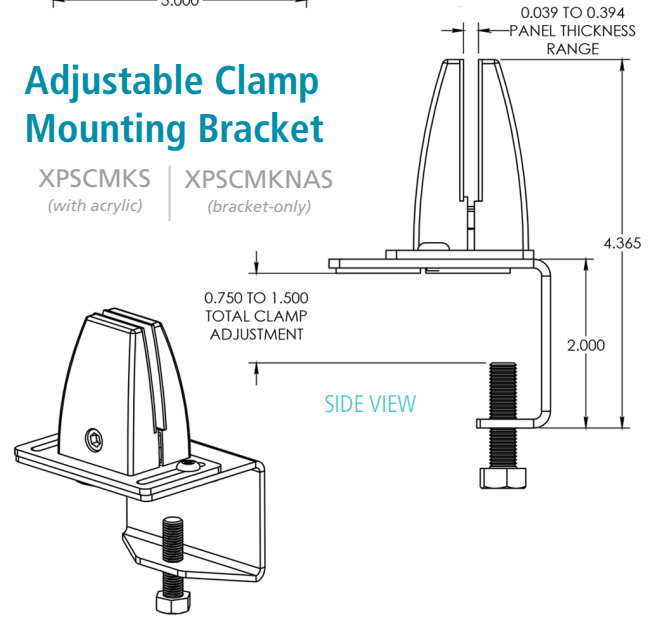


TOP VIEW



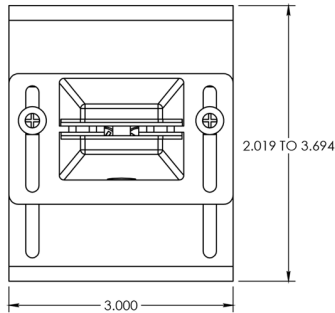
Adjustable Clamp Mounting Bracket

XPSCMKS | XPSCMKNAS
(with acrylic) | *(bracket-only)*

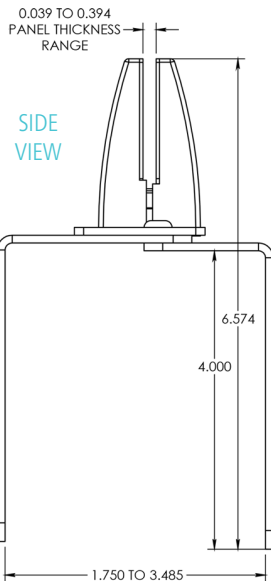


Cubicle Panel Mounting Bracket

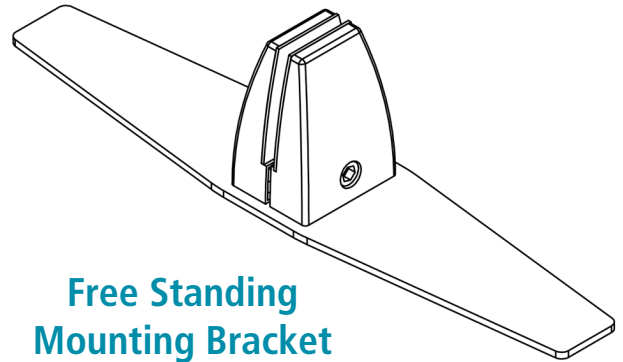
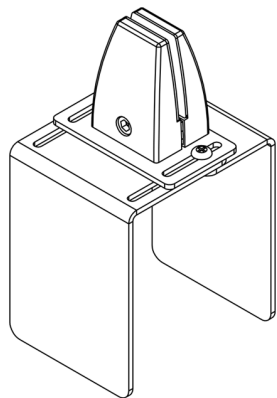
XPSCPKS | XPSCPKNAS
(with acrylic) | *(bracket-only)*



TOP VIEW

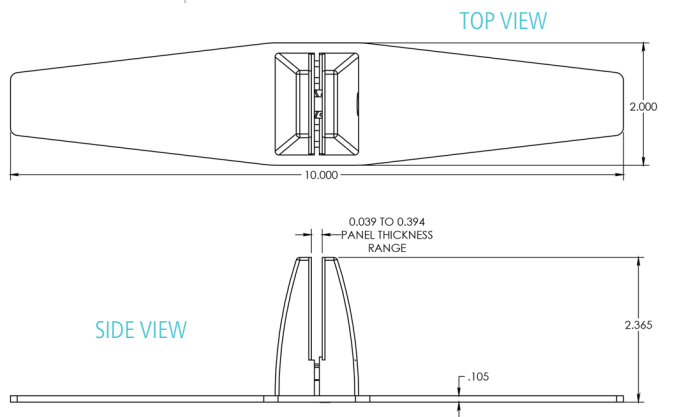


SIDE VIEW



Free Standing Mounting Bracket

XPSFSKS | XPSFSKNAS
(with acrylic) | *(bracket-only)*



TOP VIEW

SIDE VIEW