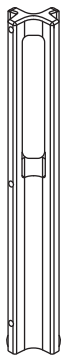


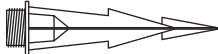
NEBO[®] PATHWAY LIGHT KIT 45W



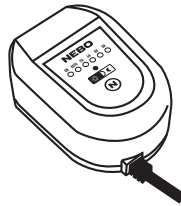
A Light Body (6)



B Connector Clip (6)



C Ground Stake (6)



45W 12V Transformer (1)



50 ft Cable

WORKING MODES SETTING

Press the circle button **(N)** to select and set the Modes

ON LED (on): Always on mode

ON LED (off): Always off mode, or short circuit or overloaded

Auto: Photocell=from dusk to dawn working mode

2H: Light on at dusk and off after 2hrs

4H: Light on at dusk and off after 4hrs

6H: Light on at dusk and off after 6hrs

8H: Light on at dusk and off after 8hrs

ASSEMBLY AND INSTALLATION



WARNING: Never use a hammer to insert the light into the ground.



WARNING: The wire connector (B) contacts have sharp edges for piercing the main low voltage cable. To avoid injury, do not touch the metal contacts.

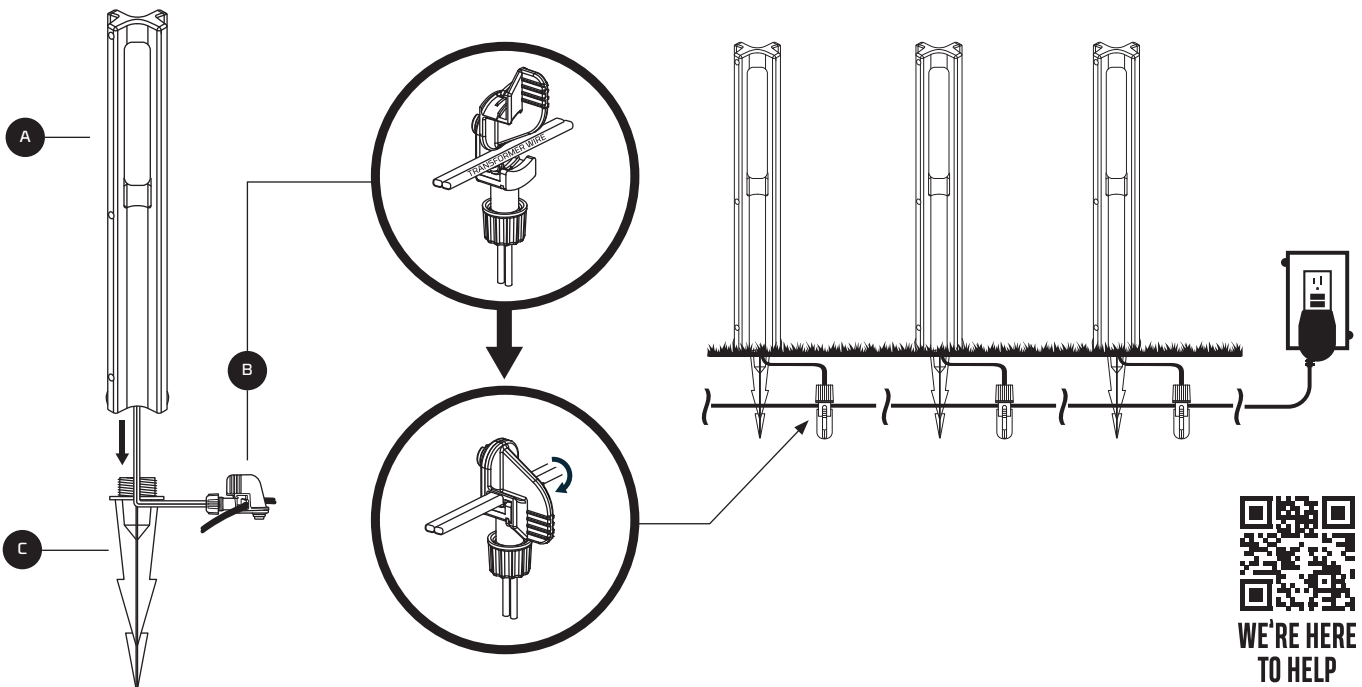


CAUTION: The wire from low voltage power unit should be 12-18 AWG type underground Low Energy Circuit Cable.



IMPORTANT:

- Do not submerge the fixture in water.
- Do not install the fixture within 10 ft. of water.
- The landscape wire can also be hidden under surface.
- Protect the wiring by routing it in close proximity to the light fixture, or next to a building structure.
- Make sure the transformer or photo sensor is exposed to ambient sunlight (but no other light sources) for astro feature to work.



1. Preparation

- Before beginning assembly and installation, make sure all parts are present. Compare parts with package contents list. If any part is missing or damaged, do not attempt to assemble the product.

2. Assembly

- Screw together the light bodies (A) and the ground stakes (C) as shown above. Ensure the wire goes through the center of the stake.

3. Installation

- Run cable from your GFCI outlet (where you will plug in the transformer) to the location of your lights.

- Before pressing lights into the ground, dig a small starter hole with a screw driver or trowel.
- Press the stake into the hole until the lights are secure, but can still be adjusted.
- Dig a small trench from the lights to the transformer wire.
- Secure the connector clip (B) to the transformer wire, as shown above.
- Test the connection by turning on the lights. Make any desired adjustments.
- Secure the light in the ground and fill in the trenches with dirt.

CARE AND CLEANING

Before cleaning, disconnect the power to the fixture by unplugging the fixture.

Clean the fixture with a soft damp cloth.

Do not use any cleaners with chemicals, solvents or harsh abrasives.

TROUBLESHOOTING

Problem	Possible Cause	Solution
The fixture will not light.	There is no power. There is a disconnect or break in the wire.	Check the outlet and ensure that a breaker or GFCI circuit has not been tripped.
	The transformer setting is incorrect.	Follow the wires from the fixture and ensure continuity back to the transformer. Check the settings on the transformer.
	Photo sensor is blocked.	Make sure the transformer or photo sensor is exposed to ambient sunlight (but no other light sources) for astro feature to work.
The light flickers (one only)	There is a loose connection to the fixture.	Repair the loose connection and ensure proper contact.
The lights flicker (all)	There is a loose connection at the transformer.	Unplug the transformer from the outlet and visually inspect the positive and negative connecting points. Each wire should securely be screwed in and in contact with each other.

CABLE SELECTION

12 VOLT TAP	CABLE LENGTH		
Total Fixture Wattage	0-50 feet	51-100 feet	101-150 feet
0-60 Watts	16 AWG	16 AWG	14 AWG
61-120 Watts	16 AWG	14 AWG	12 AWG
121-180 Watts	14 AWG	12 AWG	Not Recommended
181-240 Watts	14 AWG	12 AWG	Not Recommended
241-300 Watts	12 AWG	Not Recommended	Not Recommended
600W Transformer = (2x300) Watts	12 AWG	Not Recommended	Not Recommended
900W Transformer = (3x300) Watts	12 AWG	Not Recommended	Not Recommended

15 VOLT TAP	CABLE LENGTH		
Total Fixture Wattage	0-50 feet	51-100 feet	101-150 feet
0-60 Watts	16 AWG*	16 AWG	16 AWG
61-120 Watts	16 AWG*	16 AWG	12 AWG
121-180 Watts	14 AWG*	14 AWG	12 AWG
181-240 Watts	14 AWG*	14 AWG	12 AWG
241-300 Watts	12 AWG*	12 AWG	Not Recommended
600W Transformer = (2x300) Watts	12 AWG*	12 AWG	Not Recommended
900W Transformer = (3x300) Watts	12 AWG*	12 AWG	Not Recommended

* NOT RECOMMENDED FOR HALOGEN LANDSCAPE LIGHTS

This data is provided as a general guideline. Actual performance will depend on the installation layout, the fixtures, and the condition of the cable.

NOTE: Most LED landscape lighting fixtures can operate with full illumination down to as little as 8VAC. It is possible to have extended length runs with LED fixtures that go beyond the specifications shown in the guidelines above.

PRODUCT GUARANTEE

If you experience a problem, please do not return to your local store. Contact our Customer Service team at **800-255-6061**



For more information, detailed video instructions, and warranty registration, visit **NEBOLIGHTS.com**

IMPORTANT SAFETY INFORMATION

IMPORTANT SAFETY INFORMATION PERTAINING TO RISK OF FIRE OR INJURY TO PERSONS.

- Do not install within 10 feet (3 m) of a pool, spa or fountain.
- For use with 12 volt low voltage outdoor landscape lighting system only.
- Not for use with submersible lights or pool/spa equipment.
- There are no serviceable parts inside the power supply unit.
- DO NOT DISASSEMBLE.**
- Do not submerge transformer.
- Do not connect two or more transformers in parallel.
- Do not use with a dimmer.
- Plug the power supply unit directly into a GFCI outlet that is marked "wet location".
- Do not use an extension cord.
- The maximum output of this transformer is 6 watts. Do not overload the transformer. Be sure that the total cumulative wattage of all 12 volt fixtures connected to the transformer is equal or less than 6 watts.

PLEASE NOTE: This garden light system must be installed in accordance with all local codes and ordinances. If you are experiencing problems, contact a qualified electrician.

Product listed under ETL #

CONSIGNES DE SÉCURITÉ IMPORTANTES SUR LES RISQUES D'INCENDIE OU DE BLESSURES

- N'installez pas les luminaires à moins de 3,05 m (10pi) d'une piscine, d'un spa ou d'une fontaine.
- Ne doit être utilisé que sur un réseau d'éclairage paysager à basse tension de 12 volts.
- Ne pas utiliser avec des lumières submersibles ou de matériel pour piscine ou spa.
- L'intérieur du transformateur ne comprend pas de pièce remplaçable.
- NE DÉMONTÉZ PAS LES COMPOSANTES.**
- N'immergez pas le transformateur.
- Ne raccordez pas deux transformateurs ou davantage en parallèle.
- N'utilisez pas de gradateur pour ce luminaire.
- Branchez le transformateur directement sur une prise électrique avec disjoncteur de fuite à la terre marqué pour un emploi dans un endroit mouillé.
- N'utilisez pas de rallonge électrique.

• La puissance maximale de ce transformateur est de 6 watts. Évitez de surcharger le transformateur. Assurez-vous que la puissance nominale totale de tous les luminaires de 12 volts raccordés au transformateur ne dépasse pas 6 watts.

Remarque: L'installation de cet ensemble de lumières de parterre doit être effectuée en respectant tous les codes et règlements locaux. Si vous éprouvez des difficultés, consultez un électricien qualifié.

Produit listé ETL sous #

FOR LANDSCAPE LIGHTING SYSTEMS ONLY. OUTDOOR USE ONLY. THE DEVICE IS ACCEPTED AS A COMPONENT OF A LANDSCAPE LIGHTING SYSTEM WHERE THE SUITABILITY OF THE COMBINATION SHALL BE DETERMINED BY A CSA OR LOCAL INSPECTION AUTHORITIES HAVING JURISDICTION.

POUR SYSTÈMES D'ÉCLAIRAGE PAYSAGER SEULEMENT. POUR UTILISATION EXTERIEURE SEULEMENT. CET APPAREIL EST ACCEPTÉ EN TANT QUE COMPOSANTE D'UN SYSTÈME D'ÉCLAIRAGE D'EXTÉRIEUR OÙ LA FIABILITÉ DE LA COMBINAISON DEVRAIT ÊTRE DÉTERMINÉE PAR LA CSA OU TOUT ORGANISME LOCAL COMPÉTENT.