

FEATURES:

1. Connectors are made from 6061-T6 aluminum alloy and are plated for corrosion resistance.
2. Available in one hole increments up to 14 holes.
3. Suitable for use on wire from #4 AWG to 750 MCM.

SPECIFICATIONS:

1. UL Listed 486B Wire Connector.
2. Temperature Rating/Voltage: AL9CU. Rated 2000V, 90 °C.
3. Wire Type: Dual rated for use with copper and/or aluminum cables. Not for fine-stranded, flexible wire.
4. Torque Chart: 34.

PL Series: Uninsulated Multi-Cable Connectors

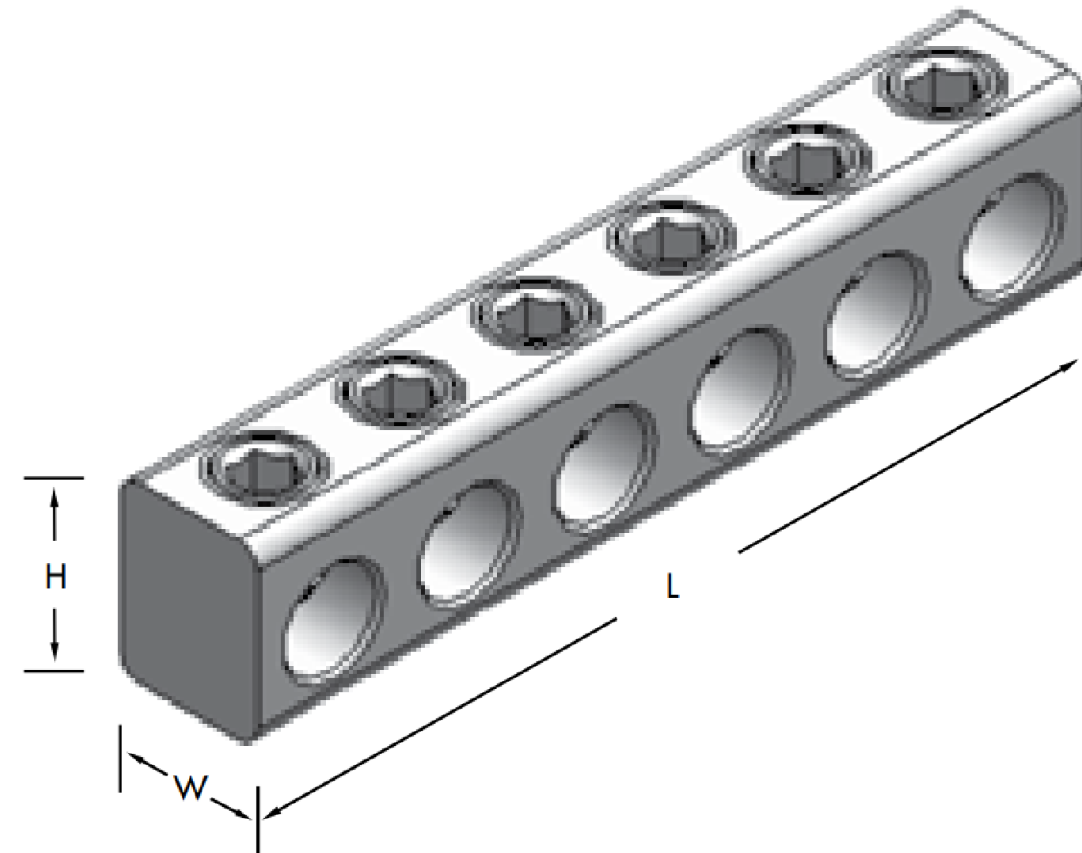


Figure varies by number of wire ports.

PART	NO. OF PORTS	WIRE RANGE	COPPER CONDUCTOR MAX. AMPS	ALUMINUM CONDUCTOR MAX. AMPS	LENGTH (L) (IN.)	WIDTH (W) (IN.)	HEIGHT (H) (IN.)	MAX. TORQUE VALUE (IN./LBS.)	HEX/WRENCH SIZE (IN.)
PL250-9	9	250 MCM-6 AWG	-	-	7.860	0.880	1.130	360	5/16
PL250-10	10	250 MCM-6 AWG	-	-	8.720	0.880	1.130	360	5/16
PL250-11	11	250 MCM-6 AWG	-	-	9.580	0.880	1.130	360	5/16
PL250-12	12	250 MCM-6 AWG	-	-	10.450	0.880	1.130	360	5/16
PL350-3	3	350 MCM-6 AWG	-	-	3.220	1.000	1.440	400	5/16
PL350-4*	4	350 MCM-6 AWG	657 A	514 A	4.270	1.000	1.440	400	5/16
PL350-6*	6	350 MCM-6 AWG	985 A	770 A	6.370	1.000	1.440	400	5/16
PL350-8*	8	350 MCM-6 AWG	1314 A	1028 A	8.470	1.000	1.440	400	5/16
PL350-10	10	350 MCM-6 AWG	-	-	10.570	1.000	1.630	400	5/16
PL500-4*	4	500 MCM-4 AWG	806 A	631 A	4.860	1.130	1.630	450	5/16
PL500-6*	6	500 MCM-4 AWG	1209 A	946 A	7.145	1.130	1.630	450	5/16
PL500-7	7	500 MCM-4 AWG	-	-	8.280	1.130	1.630	450	5/16
PL500-8*	8	500 MCM-4 AWG	1612 A	1262 A	9.440	1.130	1.630	450	5/16
PL500-9	9	500 MCM-4 AWG	-	-	10.570	1.130	1.630	450	5/16
PL500-10	10	500 MCM-4 AWG	-	-	11.730	1.130	1.630	450	5/16
PL750-3	3	750-250 MCM	-	-	4.570	1.440	2.000	550	3/8
PL750-4	4	750-250 MCM	-	-	6.000	1.440	2.000	550	3/8
PL750-6	6	750-250 MCM	-	-	8.850	1.440	2.000	550	3/8
PL750-8	8	750-250 MCM	-	-	11.700	1.440	2.000	550	3/8