

FEATURES:

1. Material: Tin Plated CU
2. UL listed for U.S. & Canada.
3. Wire connector rated for 35Kv max.
4. Class B/C compressed, concentric, and compact copper conductor only.
5. Expanded wire range when installed with dieless NSi compression tool (N12ID).
6. Dimensions are for reference only.

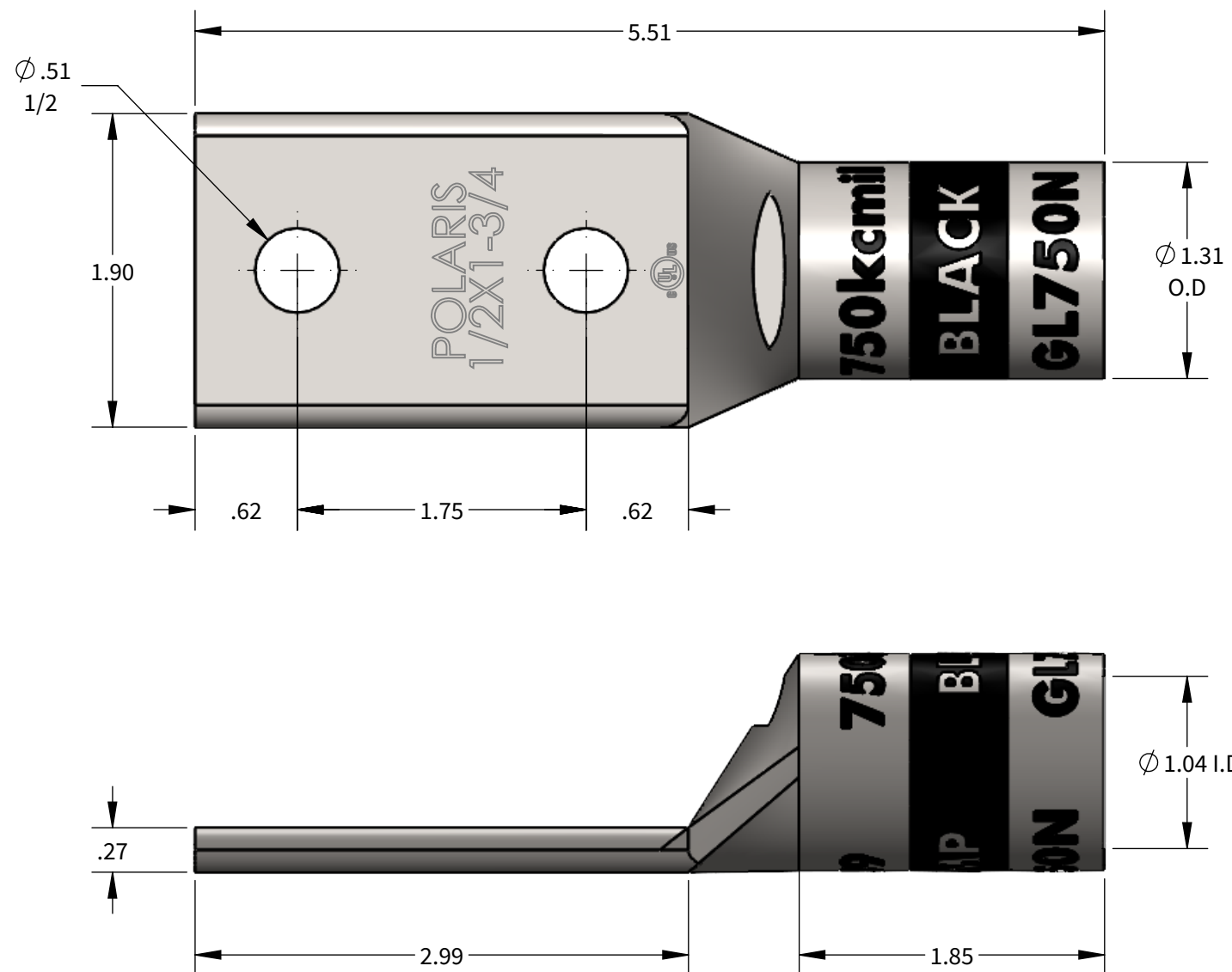
GL-N Series: GL750N



PROGRAM:	SOLIDWORKS
UPDATED:	4/2022
SALES REV:	A
SIZE:	B (11x17)



SCALE 1:1



COPPER COMPRESSION CONNECTOR TOOL AND DIE CHART (# OF CRIMPS)

WIRE SIZE	STRIP LENGTH	DIE COLOR	EXPANDED WIRE RANGE W/N12ID	COPPER COMPRESSION CONNECTOR TOOL AND DIE CHART (# OF CRIMPS)									
				NSI			GREENLEE	ILSCO		BURNDY	T&B	HUSKIE	
				N1240 SERIES	NSI-12	NSI-12	1240 SERIES	ILC-12/ILC-15 SERIES		Y-35, Y750, PAT 750	TBM-15, TBM-14M	EP510C	
750kcmil	2"	BLACK	750kcmil-500kcmil	KC12-750 (1)	CD21 (2)	HT41BP (2)	KC12-750 (1)	ILD-17 (2)	KC12-750 (1)	U39RT (2)	15515-CK (2)	HT41BP (2)	CD21 (2)

