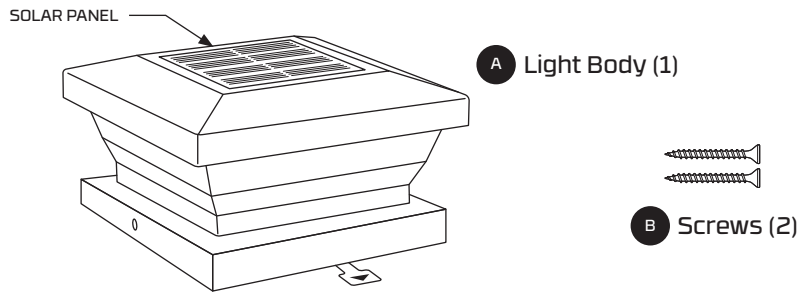


# NEBO<sup>®</sup> POST CAP LIGHT

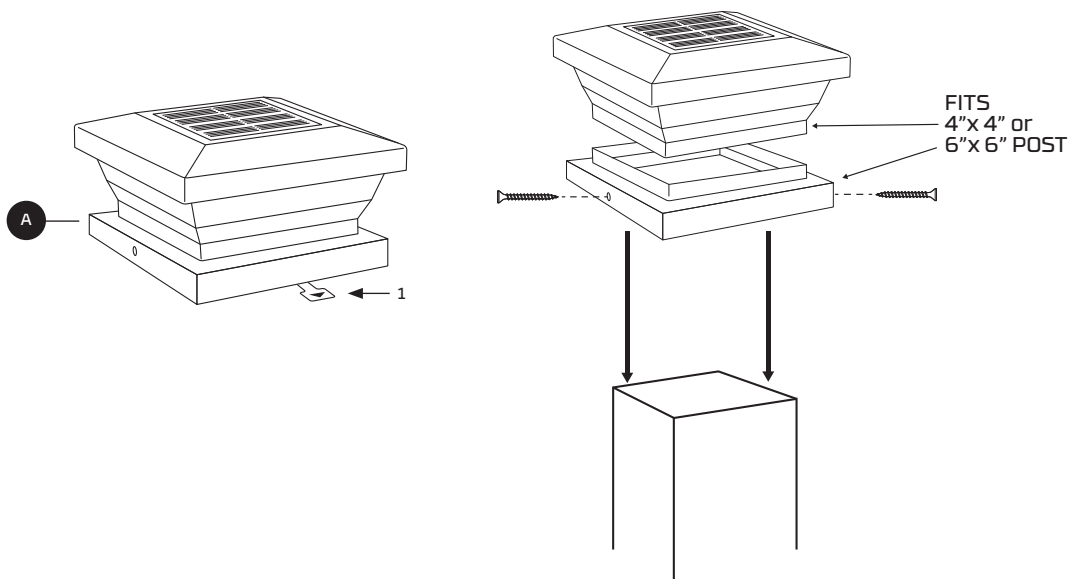


## ASSEMBLY AND INSTALLATION



**IMPORTANT:**

- Do not submerge the fixture in water.
- Do not install the fixture within 10 ft. of water.
- Ensure unit is exposed to full sunlight, so it can charge during daylight hours.



### 1. Preparation

- Before beginning assembly, compare parts with package contents list to make sure all are present. If any part is missing or damaged, do not attempt to assemble the product.
- Required tools: Phillips Head screw driver

### 2. Installation

- Determine if your fence or deck posts measure 4" x 4" or 6" x 6". If they are 6" x 6" you will need to remove the post adaptor bracket.
- Pull the tab out (1) to activate the battery and attach the cap light unit over the post. Screw in the mounting screws (B) through side holes in the light body (A).

## CARE AND CLEANING

---

Clean the fixture with a soft damp cloth.	Do not use any cleaners with chemicals, solvents or harsh abrasives.
---	--

## TROUBLESHOOTING

---

Problem	Possible Cause	Solution
The fixture will not light.	Pull tab not removed.	Remove pull tab.

## PRODUCT GUARANTEE

---

If you experience a problem, please do not return to your local store. Contact our Customer Service team at **800-255-6061**



For more information, detailed video instructions, and warranty registration, visit **NEBOLIGHTS.com**