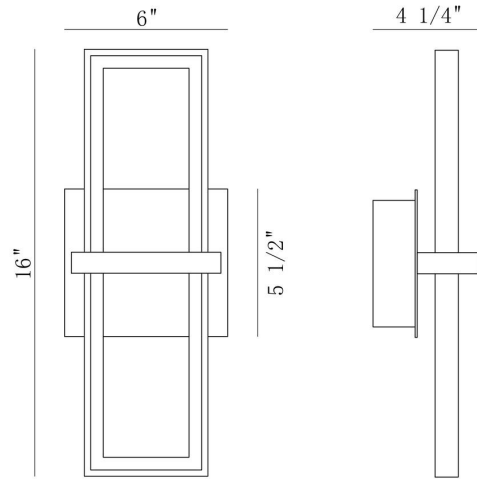
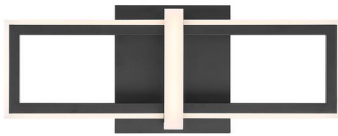


JOB NAME:

DATE:

TYPE:

COMMENTS:



LIGHT INFORMATION

Light Type	Integrated LED
CRI	90
Delivered Lumens	752
Color Temperature	3000K
LED Lifespan (L70)	20000
Light Direction	Ambient
Dimming Method	Triac/Elv
Current Type	DC
Input Voltage	120
Total Wattage	20

DIMENSIONS & WEIGHT

Length (In)	6
Width (In)	4.25
Height (In)	16
Ext (In)	4.25
Weight (Lbs)	3

INSTALLATION

Mounting Type	J-Box
Rating	Wet
Hanging Support Type	J-Box

PRODUCT FINISH

Matte Black

SHADE FINISH

Rectangle White Acrylic

CERTIFICATIONS & COMPLIANCE

