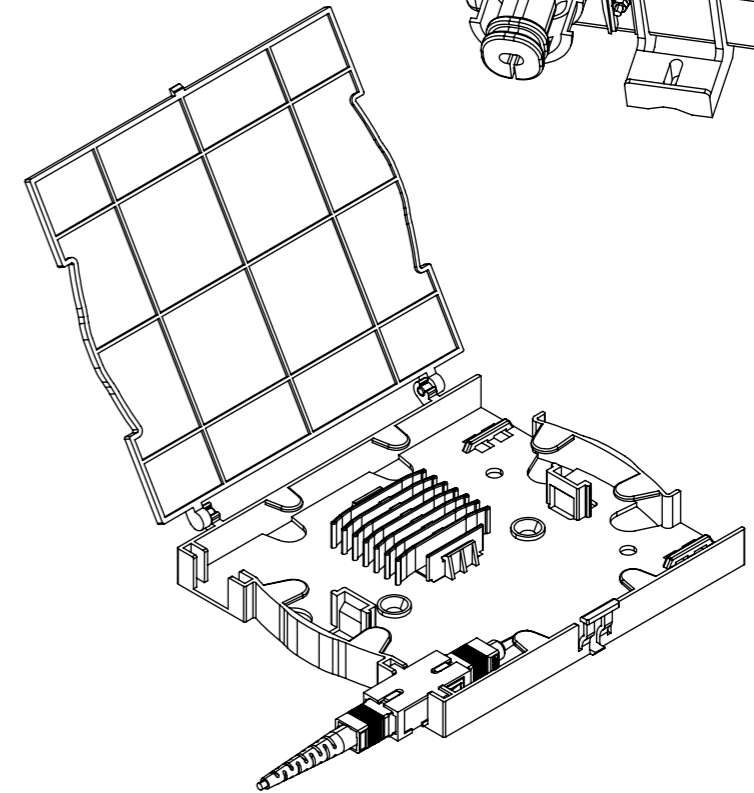
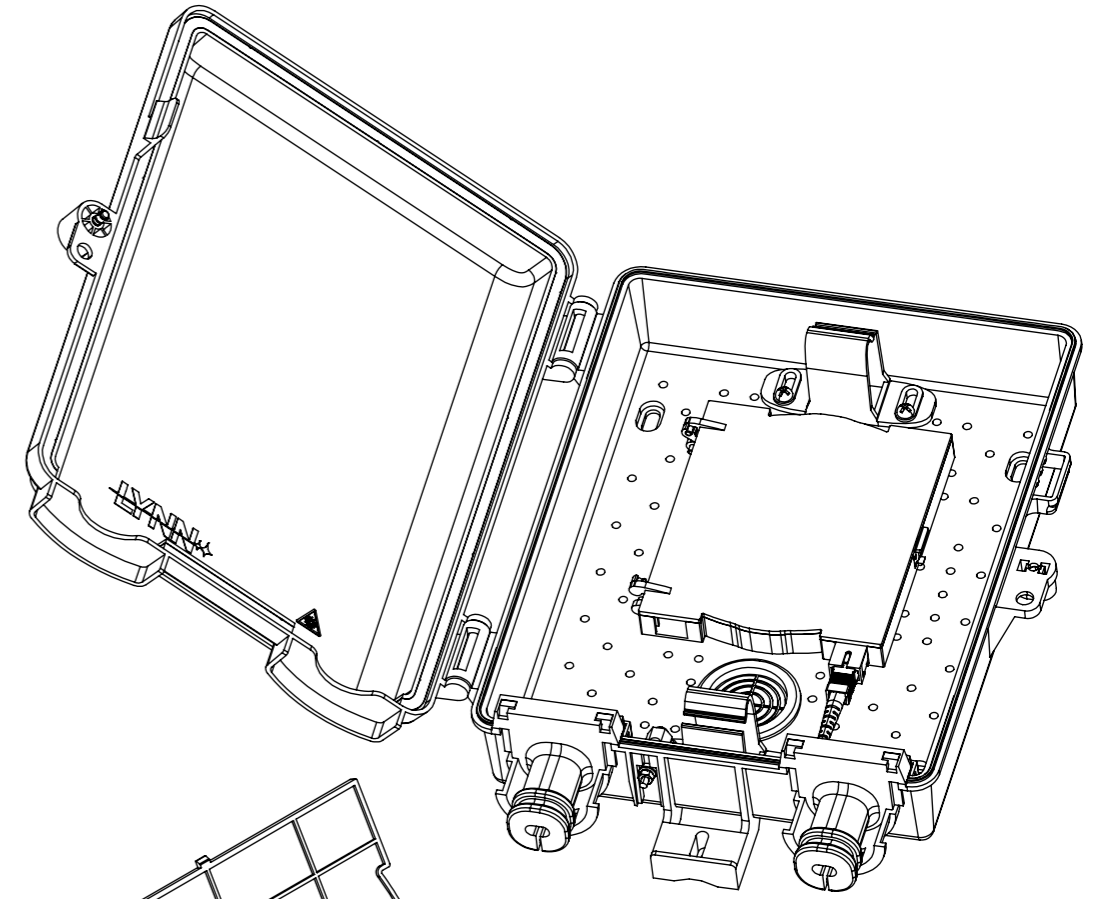
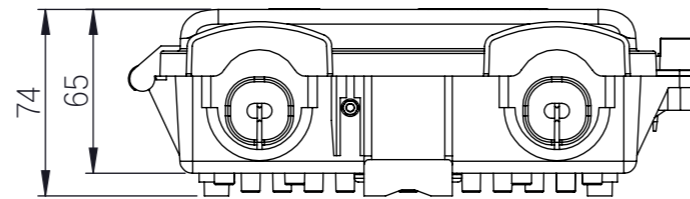
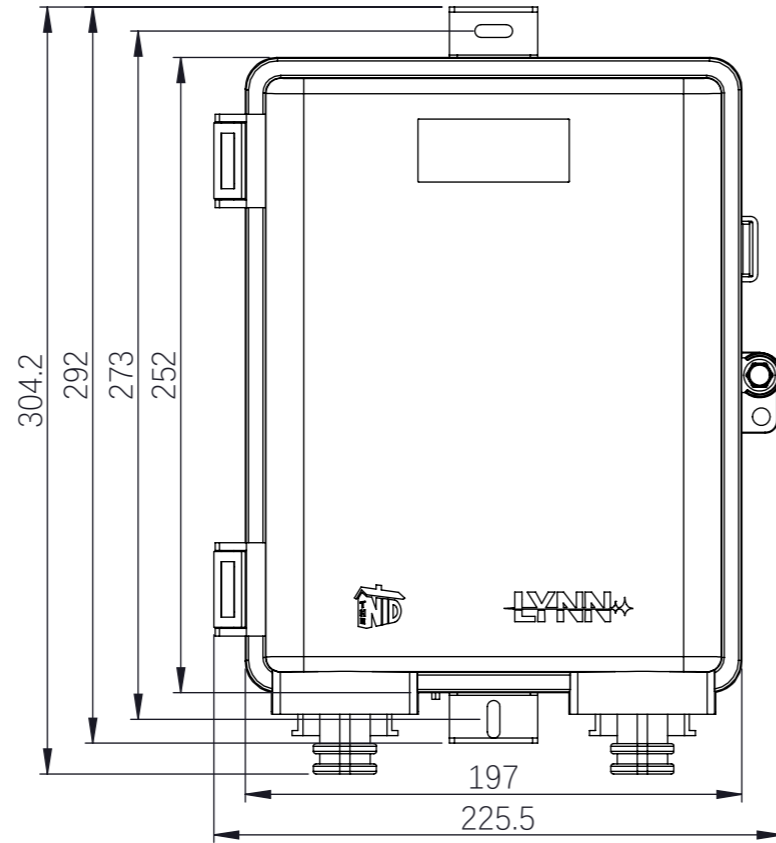
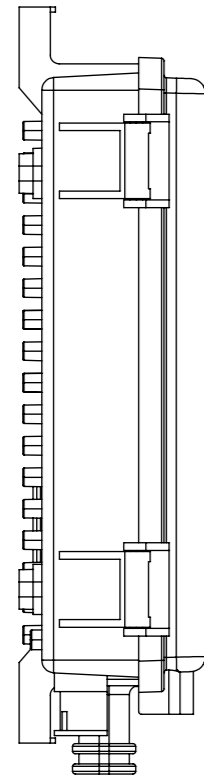


REV	ECN NO.	CHANGE CONTENT	SIGNATURE	DATE
A1		FIRST ISSUED		



NOTE:  
1.MATERIAL:PC+ABS;

		SIGNATURE	DATE	<b>LYNN</b>		
DRAWN	T. Hodson	2024/7/4	MAT'L	PRODUCT NO.	FPP-TN-A-D3	
CHK'D	J. Farrell	2024/7/4	UNITS mm	PRODUCT NAME	FPP-TN-A-D3-00000 BOX	
PROCESS		2024/7/4	SCALE	DRAWING NO.	FPP-TN-A-D3	
APPV'D	C. Hoskins	2024/7/4	TYPE OF PROJECTION		SHEET 1 OF 1	REV A1