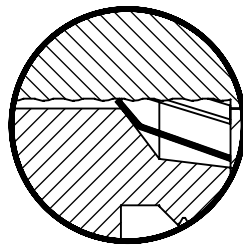
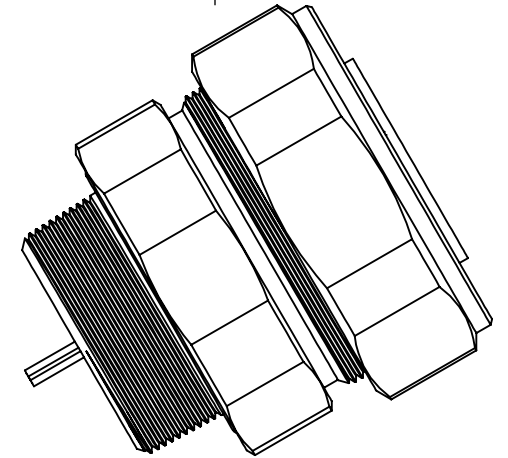
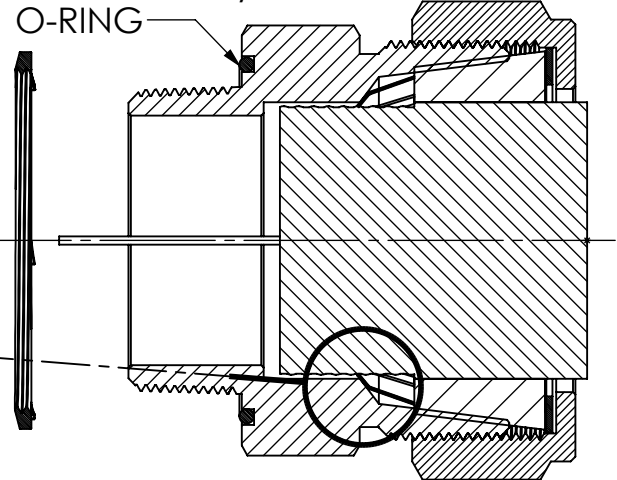


LOCK NUT
OPTIONAL
ADD: L



DETAIL B
SCALE 2 : 2.5

SECTION A-A



REV.	DATE	CHANGE	UNLESS OTHERWISE SPECIFIED:	DRAWN	NAME	DATE	<p>REMKE REMKE INDUSTRIES 310 CHADDICK DR, WHEELING, IL. 60090</p> <p>TITLE:</p> <p>SIZE DWG. NO. A RTKSS-350-24</p> <p>SCALE: 1:2.5 SHEET 1 OF 1</p>
A	7/30/14	DRAWING RELEASED	DIMENSIONS ARE IN INCHES TOLERANCES: FRACTIONAL ± 1/64 ANGULAR: MACH ± 1° BEND ± 1° ONE PLACE DECIMAL ± .015 TWO PLACE DECIMAL ± .010 THREE PLACE DECIMAL ± .005	JCN	JCN	7/14	
			INTERPRET GEOMETRIC TOLERANCING PER:	CHECKED			
			MATERIAL STAINLESS	ENG APPR.			
			FINISH	MFG APPR.			
			DO NOT SCALE DRAWING	Q.A.			
				<p>PROPRIETARY AND CONFIDENTIAL</p> <p>THE INFORMATION CONTAINED IN THIS DRAWING IS THE SOLE PROPERTY OF REMKE INDUSTRIES. ANY REPRODUCTION IN PART OR AS A WHOLE WITHOUT THE WRITTEN PERMISSION OF REMKE INDUSTRIES IS PROHIBITED.</p>			