



PART #	FIG. #	WIRE RANGE	HEX SIZE	L	W	H
IT-4C	1	4 - 14	5/32	1.12	1.19	1.38
ITO-4C	4	4 - 14	5/32	1.12	1.37	1.38
ITD-4C	2	4 - 14	5/32	1.12	1.37	1.38
IT-2C	1	4 - 14	5/32	1.20	1.19	1.38
ITD-2C	2	2 - 14	5/32	1.20	1.37	1.38
IT-1/0C	1	1/0 - 14	3/16	1.62	1.50	1.69
ITO-1/0C	4	1/0 - 14	3/16	1.62	1.83	1.69
ITD-1/0C	2	1/0 - 14	3/16	1.62	1.83	1.69
IT-2/0C	1	1/0 - 14	3/16	1.72	1.50	1.69
ITD-2/0C	2	2/0 - 14	3/16	1.72	1.83	1.69
IT-3/0C	1	3/0 - 6	1/4	1.84	1.60	1.79
ITO-3/0C	4	3/0 - 6	1/4	1.84	1.90	1.79
ITD-3/0C	2	3/0 - 6	1/4	1.84	1.90	1.79
IT-250C	2	250 - 6	5/16	2.12	2.28	2.18
IT-350C	2	350 - 6	5/16	2.47	2.41	2.61
IT-500C	2	500 - 4	5/16	2.81	2.83	2.91
IT-600C	2	600 - 6	5/16	3.24	2.96	3.03
IT-750C*	2	750 - 1/0	3/8	3.48	3.41	3.42
ITH-750C	3	750 - 1/0	5/16	3.48	4.46	3.42

\*IT750C - UL LISTED FOR 75°C

NOTES:

1. CONNECTOR MANUFACTURED FROM 6061-T6 ALUMINUM ALLOY.
2. UL LISTED PER UL486A/B SPECIFICATIONS FOR 600V.
3. DUAL RATED FOR 90°C COPPER AND/OR ALUMINUM CONDUCTOR.
4. COLD TEMPERATURE RATED TO -45°C.
5. HIGH DIELECTRIC STRENGTH INSULATION IS ABRASION AND CHEMICAL RESISTANT.

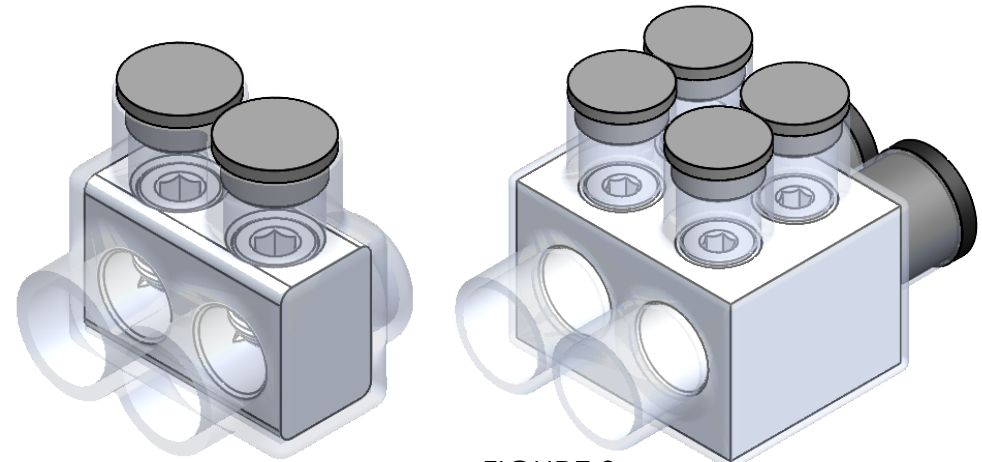


FIGURE 1  
IT

FIGURE 3  
ITH

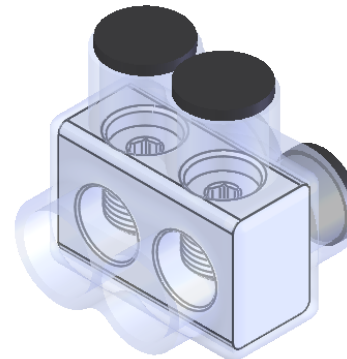


FIGURE 2  
DUAL ENTRY

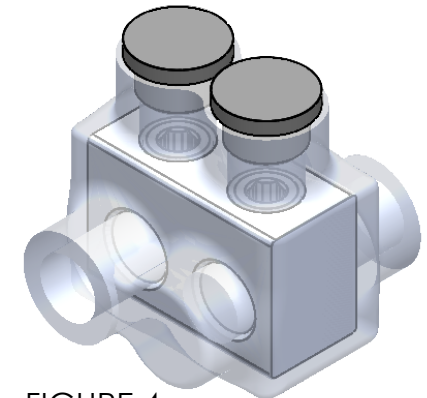


FIGURE 4  
ITO

CONTACT NSi FOR SALES @ 800.321.5847

		<b>POLARIS</b> SALES . CO . INC	
<small>PROPRIETARY AND CONFIDENTIAL</small>		<small>11625 PROSPEROUS DRIVE ODESSA, FL 33556</small>	
<small>THE INFORMATION CONTAINED IN THIS DRAWING IS THE SOLE PROPERTY OF POLARIS SALES CO. INC. ANY REPRODUCTION IN PART OR AS A WHOLE WITHOUT THE WRITTEN PERMISSION OF POLARIS SALES CO. INC. IS PROHIBITED.</small>		<b>TITLE:</b> CLEAR ITC SERIES INSULATED CONNECTORS	
<small>NAME</small> T.MITCHELL		<small>DATE</small> 11/2021	
<small>DWG. NO.</small> ITC SERIES		<small>SHEET: 1 OF 1</small>	
<b>MATERIAL:</b> N/A		<b>NOT TO SCALE</b>	