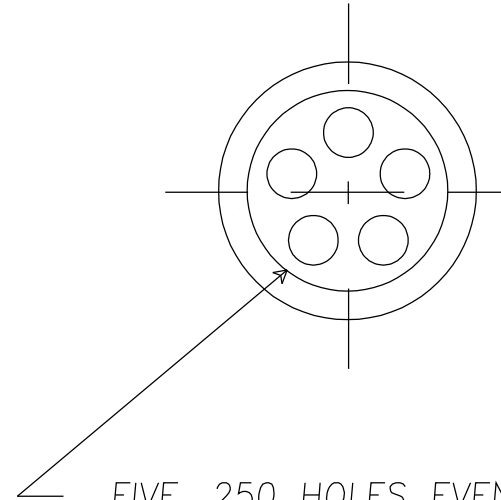
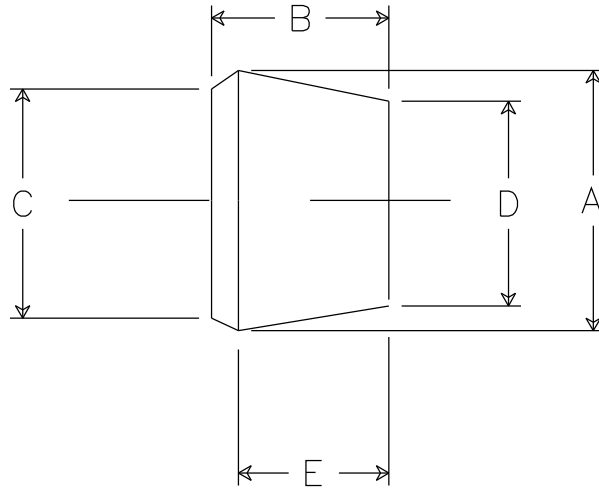


DIMENSIONS

A	1.281
B	0.875
C	1.156
D	1.031
E	0.750



FIVE .250 HOLES EVENLY SPACED
ON A .600 DIA CIRCLE

HOLE SIZE $\pm .010$

NOTES:

- 1.0 ANGULAR TOLERANCE $\pm 1/2$ DEGREE
- 2.) FLASH TO BE HELD TO A MINIMUM
AND MAY NOT WEBB ACROSS HOLE DIA.
- 3.) 1D/OD CONCENTRICITY WITHIN .20
- 4.) ALL OTHER DIM $\pm .015$

REV. A 5-30-00 ADD NOTE ON TOLERANCE

REMKE INDUSTRIES
Wheeling, Illinois 60090

SCALE:	APPROX FULL
MATERIAL:	NEOPRENE 50-60 DUROMETER
FINISH:	NATURAL BLACK
PART NAME:	BUSHING
PART NUMBER:	SRB-304-5
DRAWING DATE:	970424