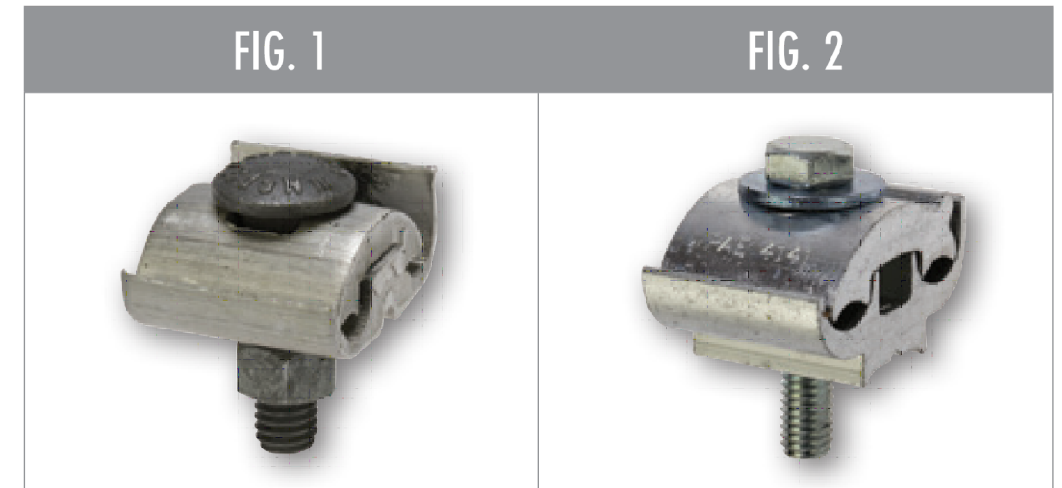
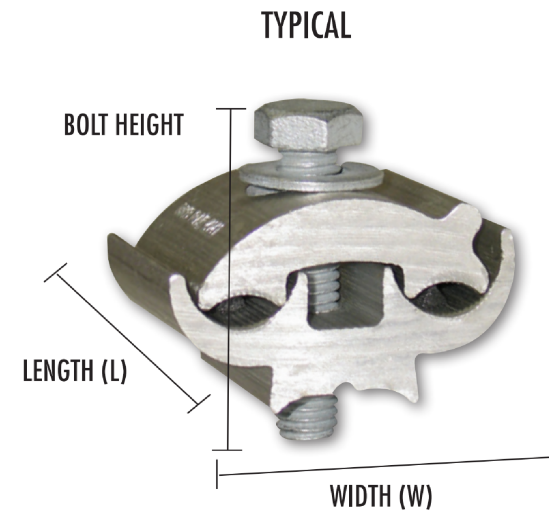
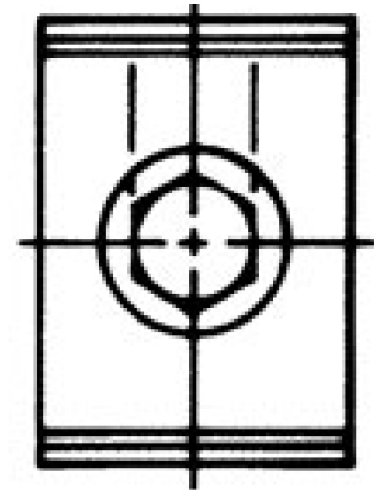
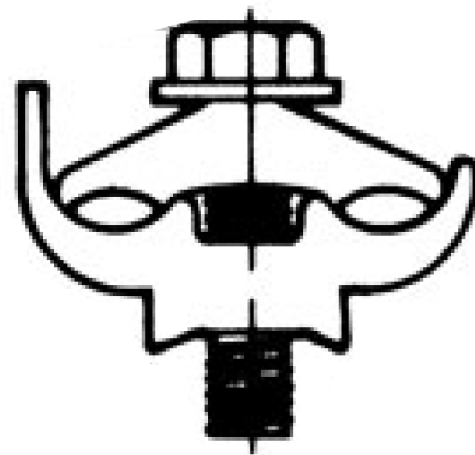


FEATURES:

1. High strength aluminum extruded alloy fittings assembled with steel or anodized high strength aluminum flat washers for heavy duty service entrance or for use as heavy duty distribution armor rod clamps.
2. Serrated grooves provide increased contact. Supplied pre-filled with oxide inhibitor.
3. Temperature Rating: 90 °C.
4. Voltage: 600V max.

PAE Series: Parallel Groove Clamps



CAT. NO.	MAIN/RUN		TAP		FIG. NO.	HEX WRENCH SIZE	BOLT HEIGHT	WIDTH (W)	LENGTH (L)
	ACSR	AL/CU	ACSR	AL/CU					
PAE2121-9	2/0-6	2/0 STR-6 SOL	2/0-6	2/0 STR-6 SOL	1	3/8	1.700	1.480	1.220
PAE4141-9	4/0-4	4/0 STR-2 SOL	4/0-4	4/0 STR-2 SOL	2	3/8	2.265	1.988	1.392