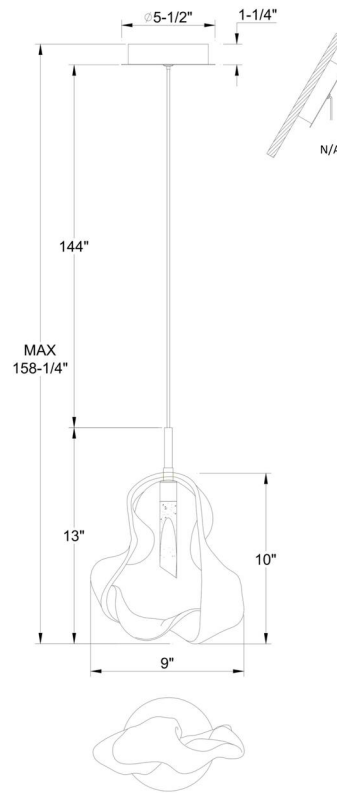


JOB NAME:

DATE:

TYPE:

COMMENTS:



### LIGHT INFORMATION

Light Type	Integrated LED
CRI	90
Delivered Lumens	227
Color Temperature	3000K
LED Lifespan (L70)	50000
Light Direction	Ambient
Dimming Method	Triac/Elv
Current Type	DC
Input Voltage	120
Total Wattage	5

### DIMENSIONS & WEIGHT

Length (In)	9
Width (In)	5.5
Height (In)	13
Min Height (In)	24.25
Max Height (In)	158.25
Weight (Lbs)	2.75

### INSTALLATION

Mounting Type	J-Box
Rating	Dry
Hanging Support Type	Aircraft Cable

### PRODUCT FINISH

Matte Black

### SHADE FINISH

Organic Clear Glass

### CERTIFICATIONS & COMPLIANCE

