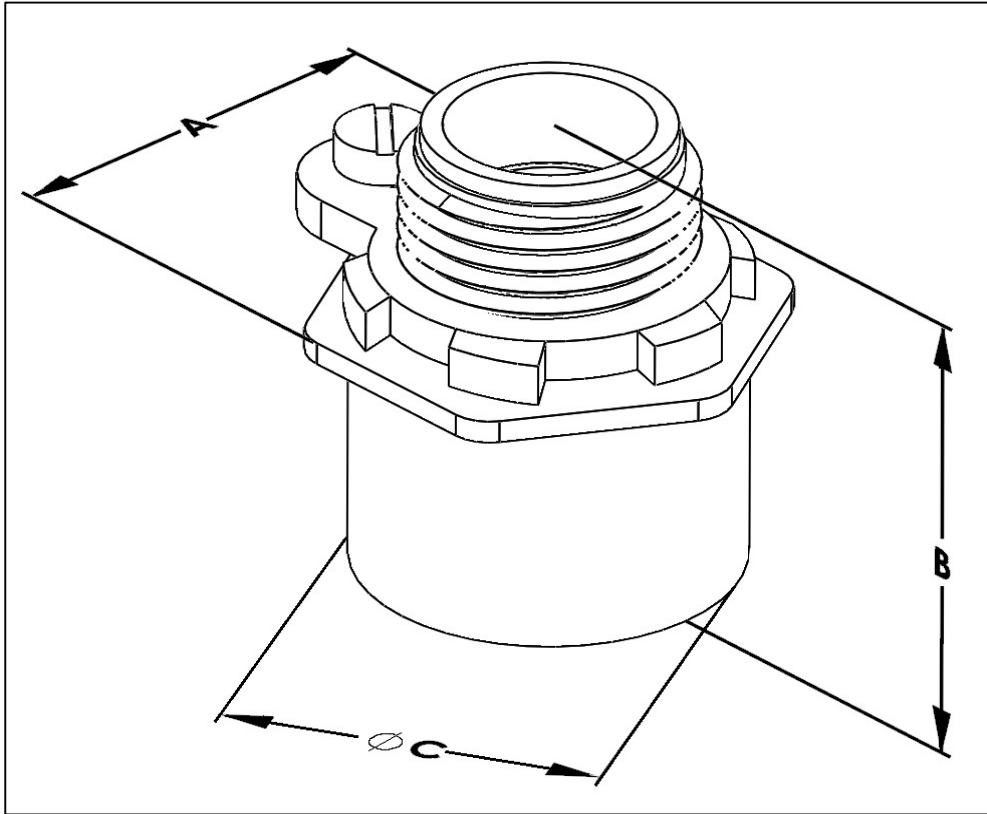


Bridgeport MI Hubs Drawing



Cat. No.	Trade Size	Dim A	Dim B	Dim C
151-MI	½"	1.54	1.36	1.09
152-MI	¾"	1.77	1.50	1.30
153-MI	1"	2.15	1.77	1.59
154-MI	1 ¼"	2.50	1.93	1.94
155-MI	1 ½"	3.00	1.97	2.20
156-MI	2"	3.35	2.05	2.68
157-MI	2 ½"	3.92	2.76	3.25
158-MI	3"	4.74	2.99	3.92
159-MI	3 ½"	5.39	3.09	4.46
160-MI	4"	5.91	3.31	4.82
161-MI	5"	7.36	3.46	6.10
162-MI	6"	8.39	3.62	7.25