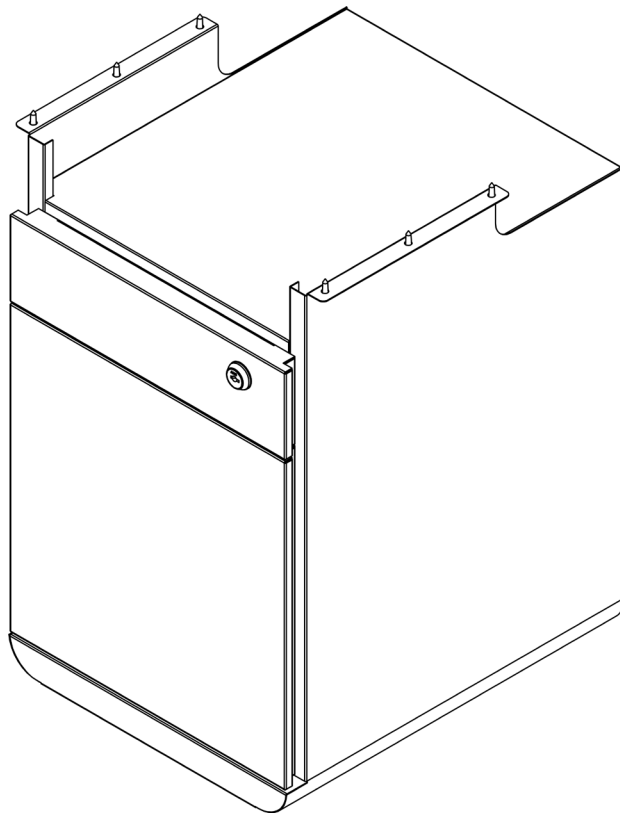




**NewHeights™ Joey 2.0
Box/File Pedestal Instructions**

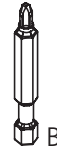
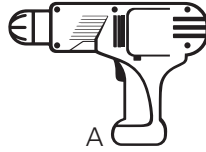
Warranty: raproducts.com/warranty



**IMPORTANT! Install base
BEFORE installing pedestal**

Tools Required for Assembly

- A. Power Driver with Adjustable Torque
- B. #2 Phillips Head Driver Bit
- C. #2 Square Head Drive Bit (**Recommended**)



May alternately use a #2 Phillips
or #2 Square Screwdriver

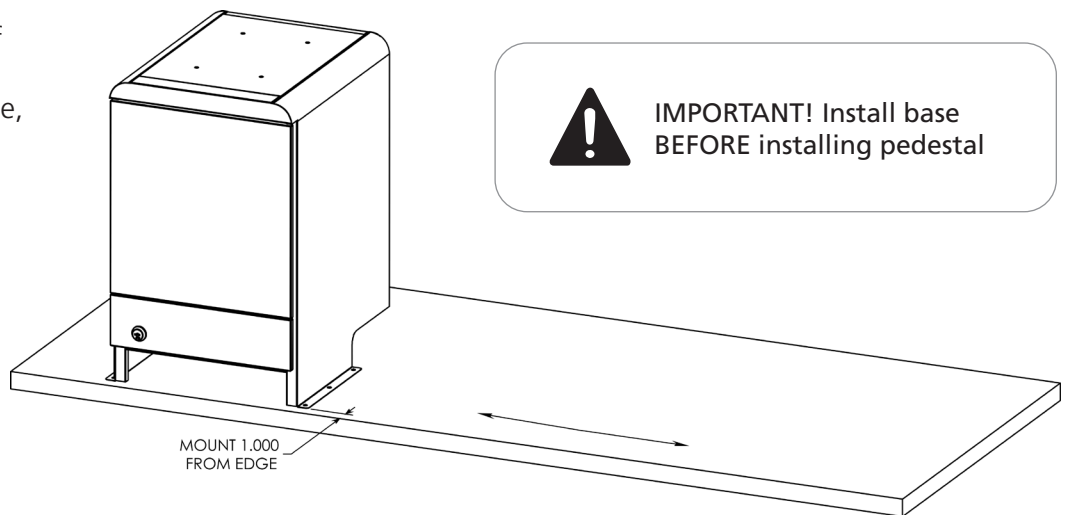
Hardware and Tools Included for Assembly (may have extra)

- D. 5/8" Wood Screw x6



Step 1

- Position pedestal along length of worksurface as desired. Position 1.000" from edge of worksurface, as shown.



Step 2

- Install (3) wood screws per side.



May alternately use a #2 Phillips
or #2 Square Screwdriver

