

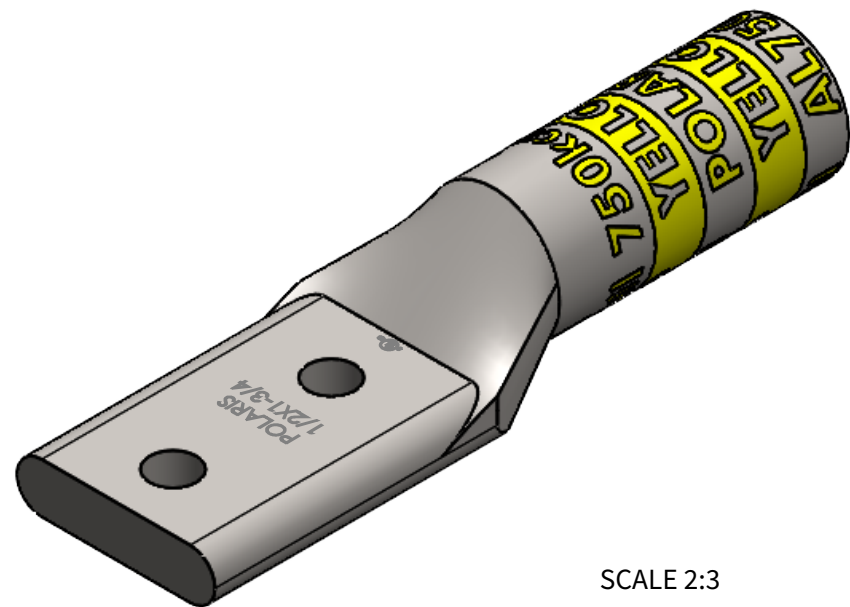
**FEATURES:**

1. Material: Tin Plated Aluminum
2. UL listed for U.S. & Canada.
3. Wire connector rated for 35Kv max.
4. Class B/C compressed, concentric, and compact conductor.
5. Dual rated AL9CU.
6. Expanded wire range when installed with dieless NSi compression tool (N121D).

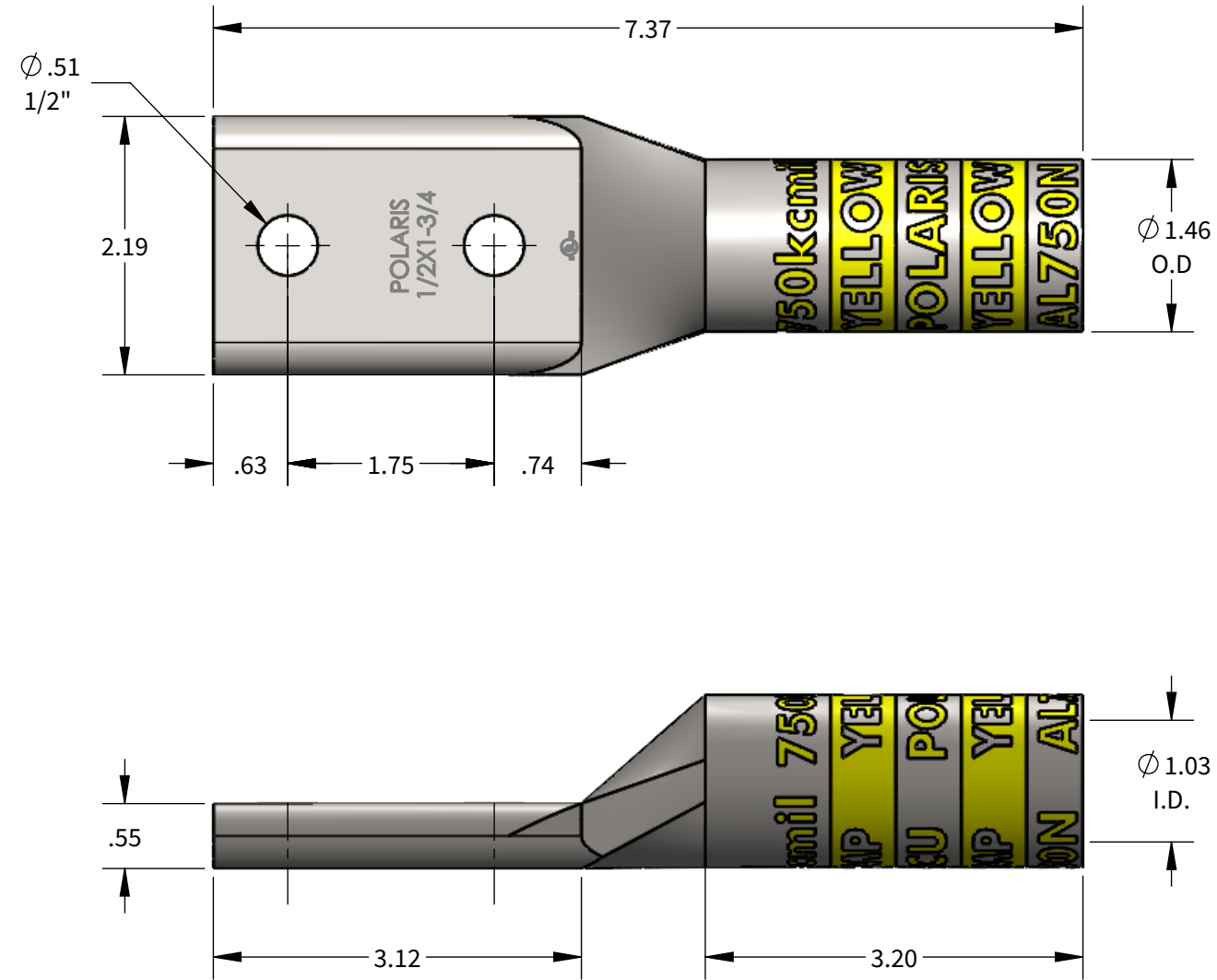
# AL-N Series: AL750N



PROGRAM:	SOLIDWORKS
UPDATED:	9/2024
SALES REV:	A
SIZE:	B (11x17)



SCALE 2:3



ALUMINUM COMPRESSION CONNECTOR TOOL AND DIE CHART (# OF CRIMPS)

WIRE SIZE	STRIP LENGTH	DIE COLOR	ALUMINUM COMPRESSION CONNECTOR TOOL AND DIE CHART (# OF CRIMPS)			
			NSI	GREENLEE	BURNDY	
			EXPANDED WIRE RANGE W/ N121D	N1240 SERIES	1240 SERIES	Y-35, Y750, PAT 750
750kcmil	3-1/4"	YELLOW	750kcmil-500kcmil	KA12-750 (2)	KA12-750 (2)	U39ART-2 (2)

