


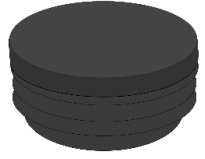



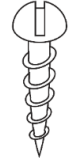


Deer Fence Sleeved Corner Post Installation Instructions

Note: If a tension system was purchased, please refer to tensioning kit instructions **BEFORE** these instructions.

HARDWARE PARTS – DE90701			
<p>A</p> <p>QTY: 4</p>  <p>1 5/8" Brace Cup Black SKU: DE8144</p>	<p>B</p> <p>QTY: 4</p>  <p>1 5/8" Brace Band Black SKU: DE8080</p>	<p>C</p> <p>QTY: 4</p>  <p>Carriage Bolt w/Washer & Nut Hot Dip Galvanized - 5/16" x 1 1/2" SKU: DE8042</p>	<p>D</p> <p>QTY: 2</p>  <p>1 5/8" Black Vinyl Post Cap SKU: DE8089</p>
<p>E</p> <p>QTY: 2</p>  <p>17 Gauge 1 5/8" Black Powder Coated Galvanized Pipe (See below for measurements)</p>	<p>F</p> <p>QTY: 4</p>  <p>17 Gauge 1 5/8" Black Powder Coated Galvanized Pipe (See below for measurements)</p>	<p>G</p> <p>QTY: 2</p>  <p>Black Ground Sleeve for 1 5/8" Post SKU: DE8196</p>	<p>H</p> <p>QTY: 4</p>  <p>Self-Tapping Screw 3/4" SKU: DE9978-1</p>
<p>Recommended Tools (not included)</p> <p>Power Drill with 5/16" Drill Bit</p> <p>Socket Wrench 5/16" or Adjustable wrenches</p> <p>Sledgehammer</p> <p>Earth Auger/Digging Bar</p>			

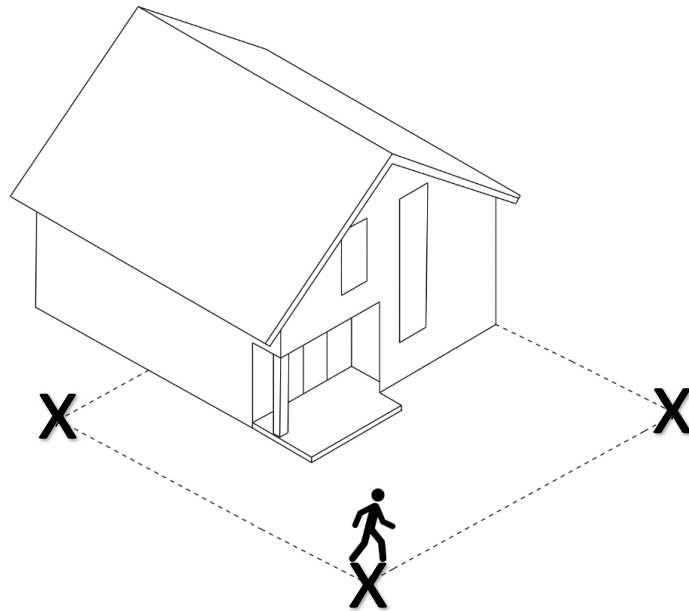
Pipes Part List						
	8' Corner			7.5' Corner		
	Qty	Pipe Measurement	SKU	Qty	Pipe Measurement	SKU
Corner Posts (E)	2	17 Gauge Black Powder Coated Galvanized Steel Pipe 1 5/8" x 108"	DE8358-108	2	17 Gauge Black Powder Coated Galvanized Steel Pipe 1 5/8" x 102"	DE8358-102
Brace Posts (F)	4	17 Gauge Black Powder Coated Galvanized Steel Pipe 1 5/8" x 108"	DE8358-108	4	17 Gauge Black Powder Coated Galvanized Steel Pipe 1 5/8" x 102"	DE8358-102
	7' Corner			6' Corner		
	Qty	Pipe Measurement	SKU	Qty	Pipe Measurement	SKU
Corner Posts (E)	2	17 Gauge Black Powder Coated Galvanized Steel Pipe 1 5/8" x 96"	DE8358-096	2	17 Gauge Black Powder Coated Galvanized Steel Pipe 1 5/8" x 84"	DE8358-084
Brace Posts (F)	4	17 Gauge Black Powder Coated Galvanized Steel Pipe 1 5/8" x 96"	DE8358-096	4	17 Gauge Black Powder Coated Galvanized Steel Pipe 1 5/8" x 84"	DE8358-084

Deer Fence Sleeved Corner Post Installation Instructions

1. Lay out your fence design, taking care to note where your corners are going to be placed within the system.

Note: Corners should be placed anywhere the fence is turning more than 45-degrees.

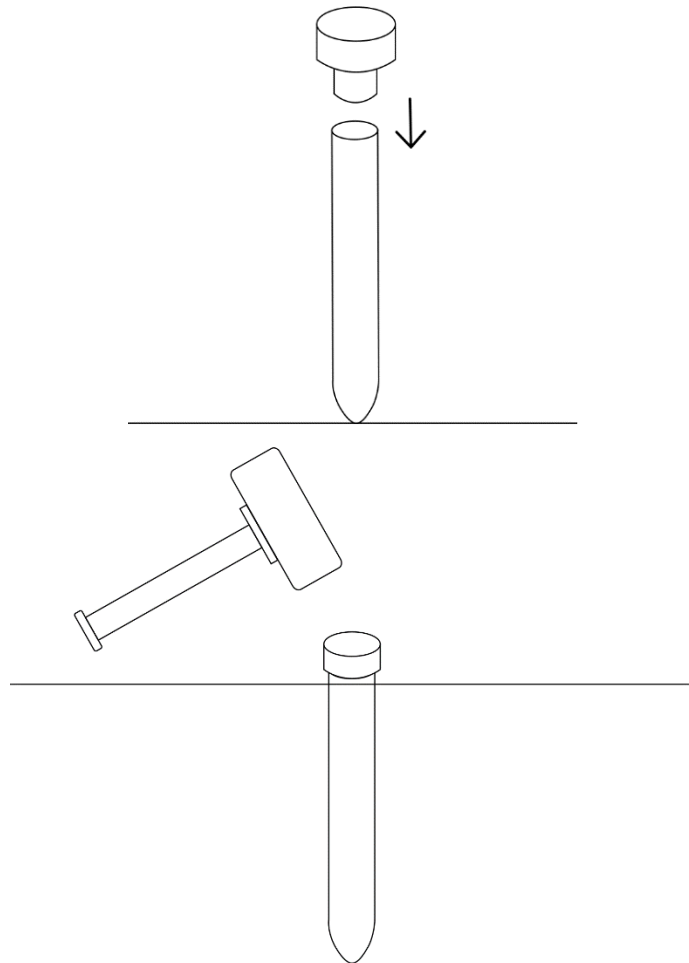
1.



2. Using a **DRIVE CAP (Sold Separately; SKU: DE2812)** and a sledgehammer, drive the **GROUND SLEEVES (G)** into the ground as close to the ground as possible. Care should be taken to ensure that the sleeves are as straight as possible.

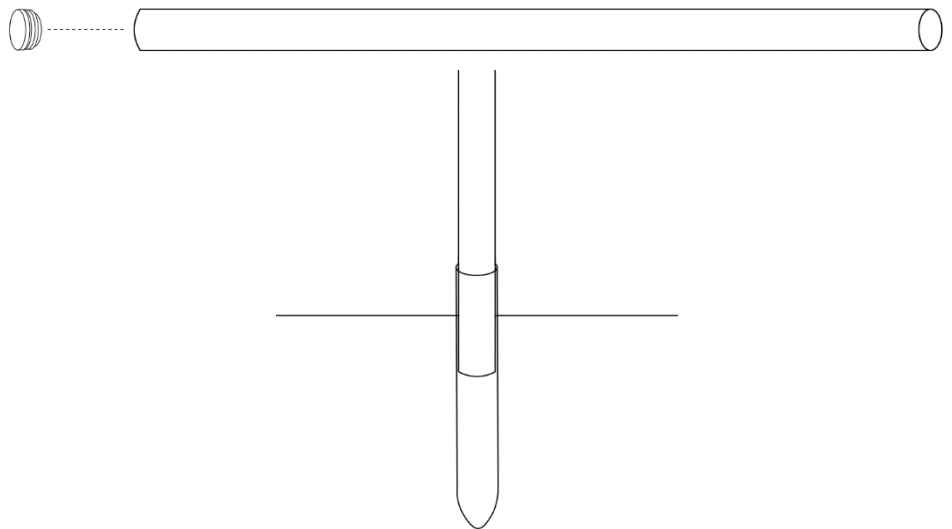
Note: On hard ground it may be necessary to use an **EARTH AUGER (Sold Separately; SKU: DE8189)** or **DIGGING BAR** to make a hole before driving the ground sleeves in.

2.



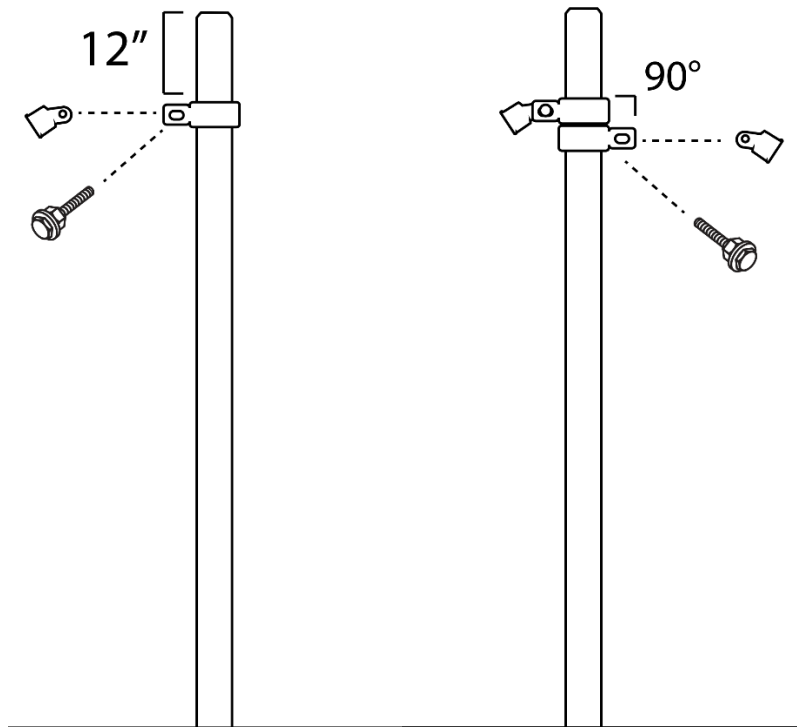
3. Insert the **VINYL CAPS (D)** on the top of each **CORNER POST (E)** before sliding into the **GROUND SLEEVES (G)**.

3.



4. Slip **BRACE BAND (B)** and **BRACE CUP (A)** over the **CORNER POST (E)** and position them approximately 12" from the top of the **CORNER POST (E)**. When attaching the **BRACE CUP (A)** to the **BRACE BAND (B)**, position the cup so that the **BRACE POST (F)** will be on the **INSIDE** of the fence line. Use **CARRIAGE BOLT (C)** to hold the **BRACE BAND (B)** and **BRACE CUP (A)** in position. Do not fully tighten. After installing the first band, install the second band directly above first at a 90-degree angle to the first brace cup.

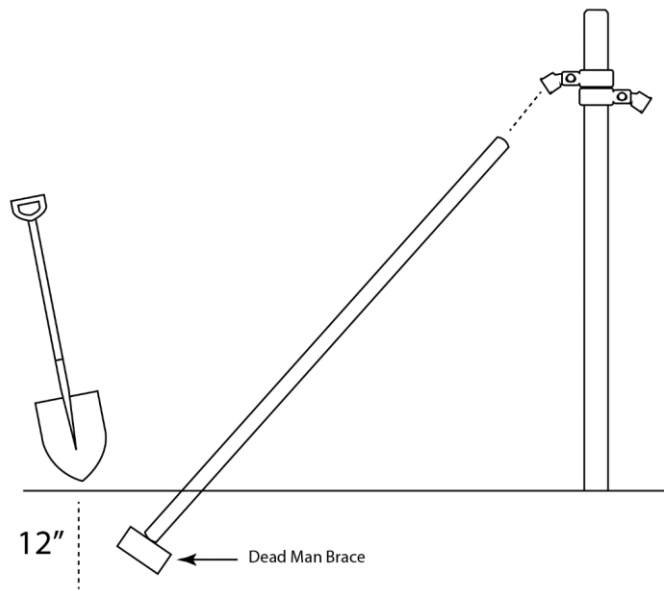
4.



5. After the bands are installed, place your **BRACE POST (F)** into the **BRACE CUP (A)** just inside the fence line. At the point where the post meets the ground, you will want to dig a hole approximately, 1' deep. Set the **BRACE POST (F)** into the hole and use a dead man brace to secure the post.

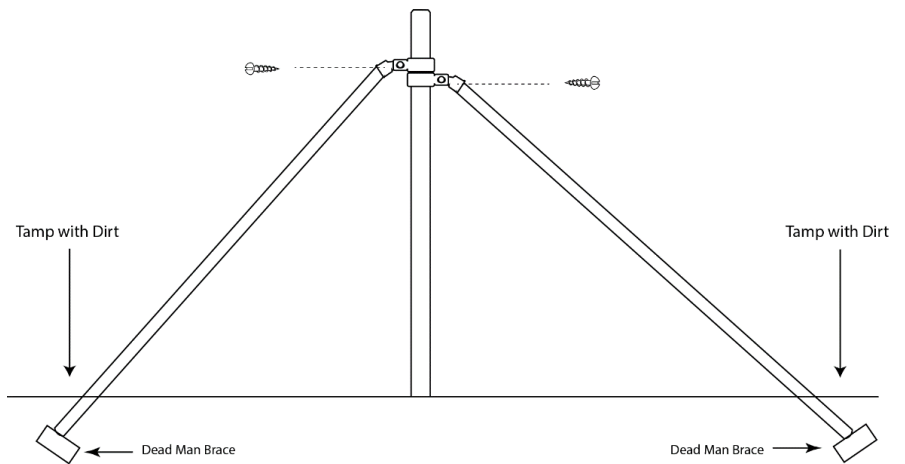
Note: A dead man brace is a brace put into the ground to hold the brace post in position. You can use a cinderblock or a large sturdy piece of wood as the dead man. Alternatively, you can cement the brace post if you choose.

5.



6. Once the dead man is in place, adjust your **BRACE POST (F)** so it rests tightly against the dead man. Fill the hole back up with dirt and tamp down. Secure the **BRACE POST (F)** by drilling a **SELF-TAPPING SCREW (H)** through the **BRACE CUP (A)** and **BRACE POST (F)**. Repeat with your second **BRACE POST (F)** on the other side of your **CORNER POST (E)**. Once both sides are secured, tighten the **CARRIAGE BOLTS (C)** on the brace bands.

6.



Birds Eye View

