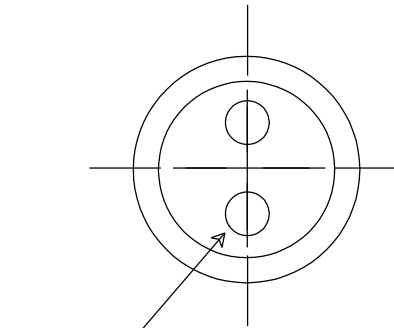
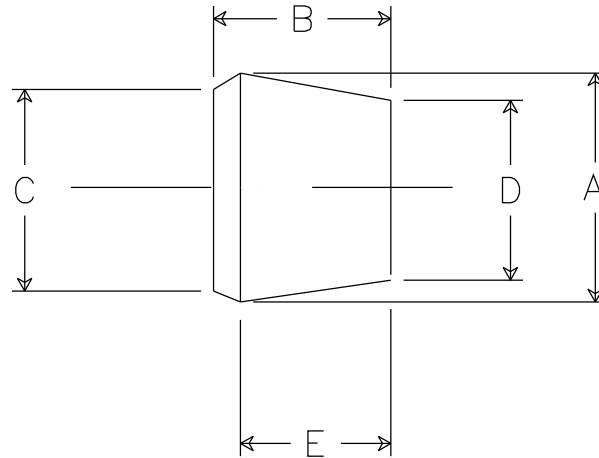


DIMENSIONS

A 1.125
B 0.875
C 1.031
D 0.875
E 0.750



NOTE: 2-HOLES .218 DIA. EVENLY SPACED ON A .450 DIA CIRCLE

HOLE SIZE +/- .010

NOTES:

- 1.0 ANGULAR TOLERANCE +/- 1/2 DEGREE
- 2.) FLASH TO BE HELD TO A MINIMUM AND MAY NOT WEBB ACROSS HOLE DIA.
- 3.) 1D/OD CONCENTRICITY WITHIN .20
- 4.) ALL OTHER DIM +/- .015

REV. A 10/02/01 RELEASE DRAWING

REMKE INDUSTRIES
Wheeling, Illinois 60090

SCALE: APPROX FULL
MATERIAL: NEOPRENE 50-60 DUROMETER
FINISH: NATURAL BLACK
PART NAME: BUSHING
PART NUMBER: SRB-20732-2
DRAWING DATE: 10/02/01 RT