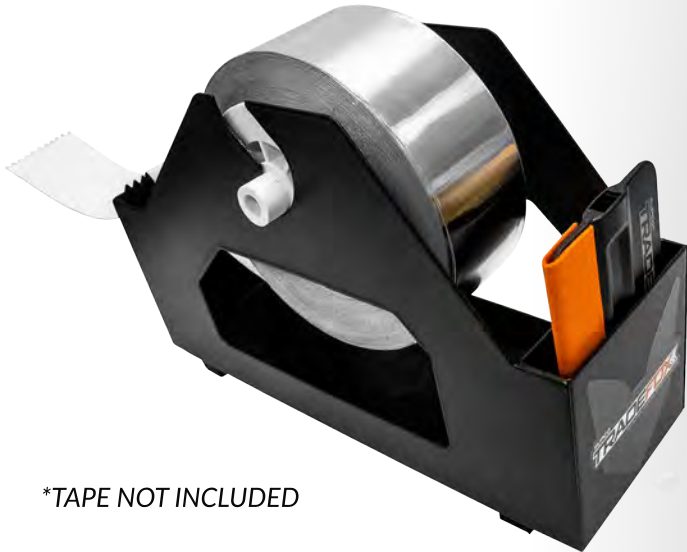


## STICK 'EM UP. A DISPENSER THAT KEEPS YOUR TAPE WITHIN REACH.

### FEATURES

- ✔ Use with all types of tape up to 3" in width
- ✔ Magnetic bottom holds unit securely to metal surfaces for single-handed use
- ✔ Serrated cutting edge
- ✔ Includes TradeFox® squeegee in handy storage compartment\*



\*TAPE NOT INCLUDED

### TECHNICIAN INVENTED. TECHNICIAN PROVEN.

The Universal Tape Dispenser was invented by a real HVAC technician who was tired of having his scrim and mastic tape get tangled, stepped on and roll around the job site. After not being able to find any other solution besides a zip tie to the waist, he decided to build a dispenser prototype. He added magnets to the bottom for more convenience during the installation of an air handler or an entire duct job.



**ARE YOU THE NEXT SUPCO TRADEFOX®?**

Visit [supcotradefox.com](http://supcotradefox.com) to learn more about our inventor program.