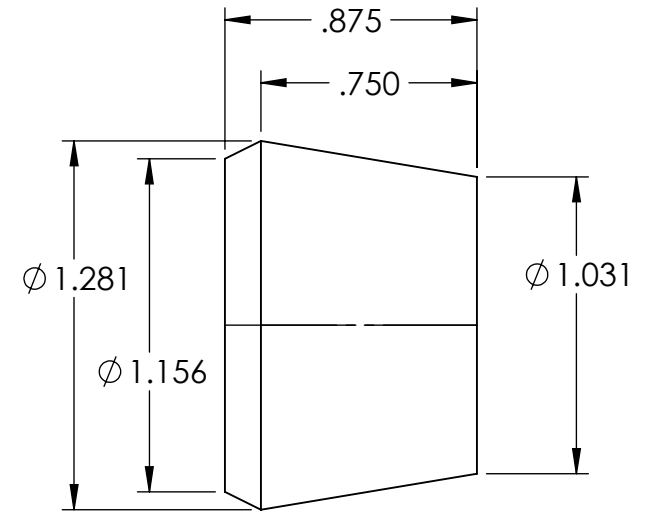
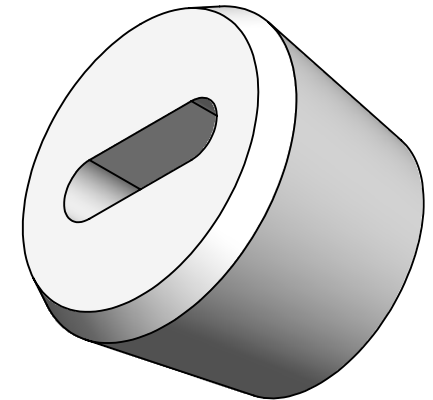


SECTION A-A



NOTES:

1. FLASH TO BE HELD TO A MINIMUM AND MAY NOT WEB ACROSS HOLES.
2. I.D. AND O.D. CONCENTRICITY .020.
3. ALL OTHER DIMENSIONS $\pm .015$.
4. MATERIAL: BLACK NEOPRENE 50-60 DUROMETER
5. REPLACES SRB-35831B



REV.	DATE	CHANGE	UNLESS OTHERWISE SPECIFIED:	NAME	DATE	REMKE INDUSTRIES 310 CHADDICK DR, WHEELING, IL. 60090	
A	11/30/00	DRAWING RELEASED	DIMENSIONS ARE IN INCHES TOLERANCES: FRACTIONAL $\pm 1/64$ ANGULAR: MACH $\pm 1^\circ$ BEND $\pm 1^\circ$ ONE PLACE DECIMAL $\pm .015$ TWO PLACE DECIMAL $\pm .010$ THREE PLACE DECIMAL $\pm .005$	DRAWN	JCN	7/15	TITLE: BUSHING
B	7/16/15	REDRAWN	INTERPRET GEOMETRIC TOLERANCING PER:	CHECKED			SIZE A
			MATERIAL SEE NOTE	ENG APPR.			DWG. NO. SBF-3002
			FINISH	MFG APPR.			SCALE: 1.5:1
			DO NOT SCALE DRAWING	Q.A.			SHEET 1 OF 1
				PROPRIETARY AND CONFIDENTIAL		THE INFORMATION CONTAINED IN THIS DRAWING IS THE SOLE PROPERTY OF REMKE INDUSTRIES. ANY REPRODUCTION IN PART OR AS A WHOLE WITHOUT THE WRITTEN PERMISSION OF REMKE INDUSTRIES IS PROHIBITED.	

5

↑

4

3

2

1