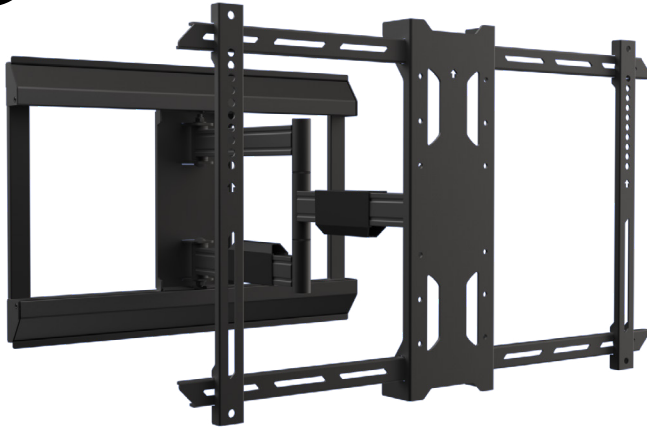


RCAD470

Dual Stud Articulating TV Mount

kanto
INSTALLER SERIES

NO ONLINE SALES



UP TO 120 LB



39" - 77"



600x400



2.6" PROFILE
23.4" EXTENSION



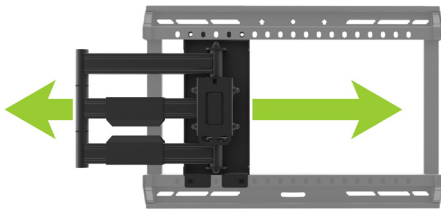
+15° TO
-3° TILT



16" STUD
SUPPORT

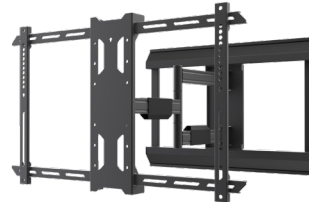


8" HORIZONTAL
OFFSET



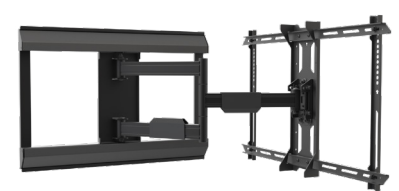
PERFECT PLACEMENT

With the ability to offset the articulating arm independently of the wall plate, you'll be able to position your clients' TV perfectly on the wall regardless of stud layout.



SAFETY FIRST

By passing rigorous third-party standards defined by UL, RCAD470 provides peace of mind and guarantees your customers' safety in the home or in public.



FULLY ADJUSTABLE

RCAD470 articulating TV mount can be tilted forward 15° or backward 3° and swivel up to 90° in either direction. Post-installation horizontal leveling lets you dial in your clients' TV perfectly.



MADE FOR PROFESSIONALS

The RCAD470 full motion mount comes with sleek aluminum magnetic wall plate covers to hide any sign of installation, and installer-friendly, snap on cable management clips with plenty of room for bulky wiring.



PLENTIFUL EXTENSION

Even with its low-profile design, RCAD470 TV wall mount can extend 23.4" from the wall, giving you plenty of room to work behind the TV and allow your customer to position their TV wherever they'd like.

Features and Specifications

- Fits most TVs from 39" to 77"
- Supports TVs up to 120 lb (55 kg)
- Accommodates VESA sizes from 100x100 to 600x400
- 8" (20.3 cm) of adjustable horizontal offset from center position
- Accessible tilt mechanism provides a -3/+15° tilt angle
- 90° of swivel in either direction, depending on screen size
- Sits 2.6" (6.6 cm) and extends up to 23.4" (59.4 cm) from the wall
- Installer-friendly, snap on cable management clips
- Adjustable horizontal leveling
- 23.2" (59 cm) wall plate accommodates up to 16" stud spacing
- solid steel construction with durable powder coated finish
- Includes manual and all mounting hardware for wood stud and concrete installation
- UL listed
- Shipping box weight: 28.2 lb (12.8 kg)
- Shipping box dimensions: 29.4" x 17.8" x 4.2" (74.6 x 45.1 x 10.7 cm)
- Product weight: 24.9 lb (11.3 kg)
- UPC: 800152721187

DIMENSIONS

