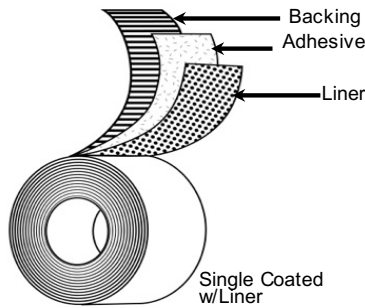


## Peak Performance Surface Protection Tape



- Backing:** Dupont® Surlyn Ionomer Film
- Adhesive:** Acrylic (A105)
- Liner:** 53# Standard or 94# Coated Kraft Paper (Custom)
- Colors:** Transparent
- Specifications:** N/A
- Size Options:** Incremental widths 1/4" - 24" x 108ft

### Applications

- Heavy-duty abrasion resistant surface protection
- Low-temperature surface overlaminates to protect graphics
- Cold-weather tape for use on skis and snowboards - protects surfaces to extend product life

### Features

- Surlyn Ionomer Film
- Acrylic Adhesive
- Kraft Release Liner

### Benefits

- Tough and durable
- Excellent clarity for visual surface inspection
- Excellent low temperature flexibility
- Stands up to harsh environments
- Good adhesive strength with clean removal
- Will not break down even in harsh mechanical or chemical environments
- Adheres permanently with no lifting
- 94# is excellent for die-cutting
- 53# provides ease of use

### Typical Test Values

	Standard UOM		Metric UOM		Test Method
<b>Total Thickness</b>	12.0	mils	0.305	mm	PSTC-133
<b>Substrate Thickness</b>	10.0	mils	0.254	mm	PSTC-133
<b>Adhesion to Steel</b>	25	oz/in	2.74	N/cm	ASTM D-3330
<b>Tensile Strength</b>	35	lb/in	61.29	N/cm	ASTM D-3759
<b>Puncture Resistance</b>	15	lbs	6.80	kg	ASTM D-1000
<b>Weight</b>	9.30	oz/yd <sup>2</sup>	315.32	g/m <sup>2</sup>	
<b>Elongation</b>	500%				
<b>Operating Temperature</b>	50 to 120 °F		10 to 49 °C		
<b>Operating Temperature</b>	-40 to 180 °F		-40 to 82 °C		

Recommended Storage Conditions: 40-60% Humidity, 60 - 80 °F  
Standard Shelf Life (at 25 °C): 12 months from shipment date

The information presented herein was prepared at BERRY GLOBAL, INC. (25 Forge Parkway Franklin, MA 02038) by qualified technical personnel. To BERRY GLOBAL'S knowledge it is true and accurate. However, the information and recommendations are furnished for these products with the understanding that the purchaser or user, as the case may be, will independently determine that the product is suitable for the intended use, and that such use complies with all applicable federal, state and local laws and regulations. The data are submitted only for the user's information and consideration, and do not constitute a warranty of any kind (including but not limited to a warranty of merchantability or of fitness for a particular purpose), or a representation for which BERRY assumes any legal responsibility.