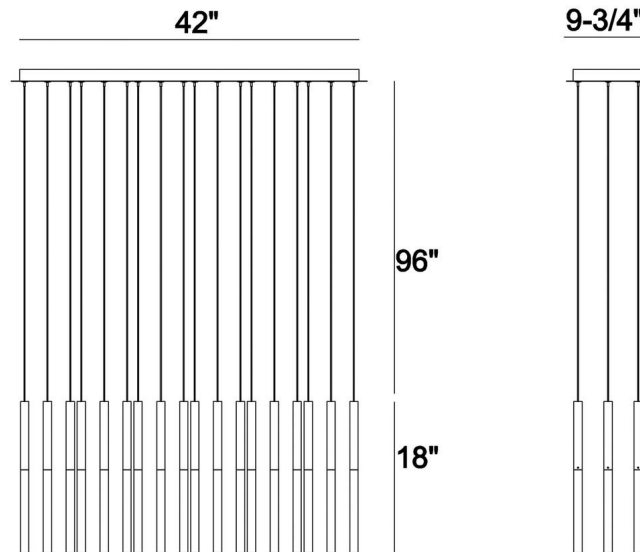


JOB NAME:

DATE:

TYPE:

COMMENTS:



LIGHT INFORMATION

| | |
|--------------------|----------------|
| Light Type | Integrated LED |
| CRI | 90 |
| Delivered Lumens | 2136 |
| Color Temperature | 3000K |
| LED Lifespan (L70) | 20000 |
| Number of Lights | 18 |
| Light Direction | Down |
| Dimming Method | Triac/Elv |
| Current Type | DC |
| Input Voltage | 120 |
| Total Wattage | 55 |

DIMENSIONS & WEIGHT

| | |
|-----------------|-------|
| Length (In) | 42 |
| Width (In) | 9.75 |
| Height (In) | 18 |
| Min Height (In) | 39.5 |
| Max Height (In) | 115.5 |
| Weight (Lbs) | 43.4 |

INSTALLATION

| | |
|----------------------|----------------|
| Mounting Type | J-Box |
| Rating | Dry |
| Hanging Support Type | Aircraft Cable |

PRODUCT FINISH

Polished Nickel

SHADE FINISH

Rectangle Clear Glass

CERTIFICATIONS & COMPLIANCE

