

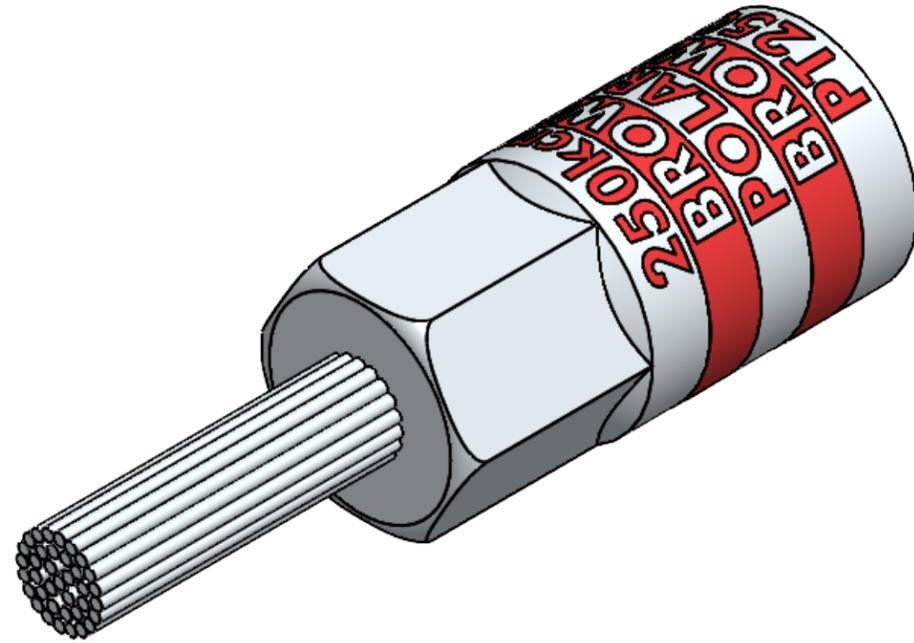
**FEATURES:**

1. Material: Tin Plated Aluminum
2. UL listed for U.S. & Canada.
3. Wire connector rated for 35Kv max.
4. Class B/C compressed, concentric, and compact conductor.
5. Dual rated AL9CU.
6. Supplied with EPDM insulated cover.
7. Connector is pre-filled with oxide inhibitor.
8. Dimensions are for reference only.

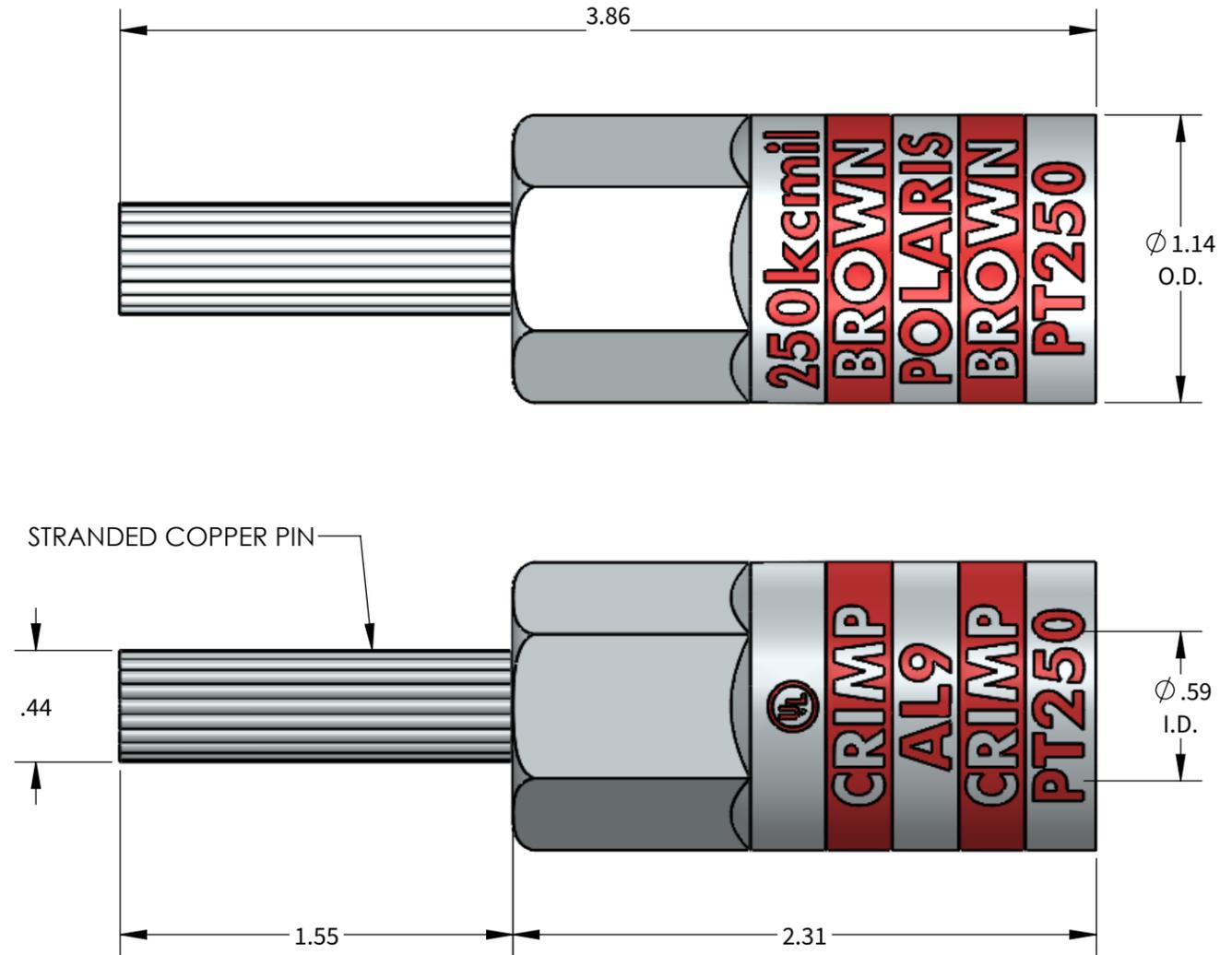
# PT Series: PT250



<b>PROGRAM:</b>	SOLIDWORKS
<b>UPDATED:</b>	4/2022
<b>SALES REV:</b>	A
<b>SIZE:</b>	B (11x17)



SCALE 3:2



ALUMINUM COMPRESSION CONNECTOR TOOL AND DIE CHART  
(# OF CRIMPS)

GREENLEE

WIRE SIZE	STRIP LENGTH	DIE COLOR	N1240 SERIES
250kcmil	1-3/8"	BROWN	CD18A(2)

