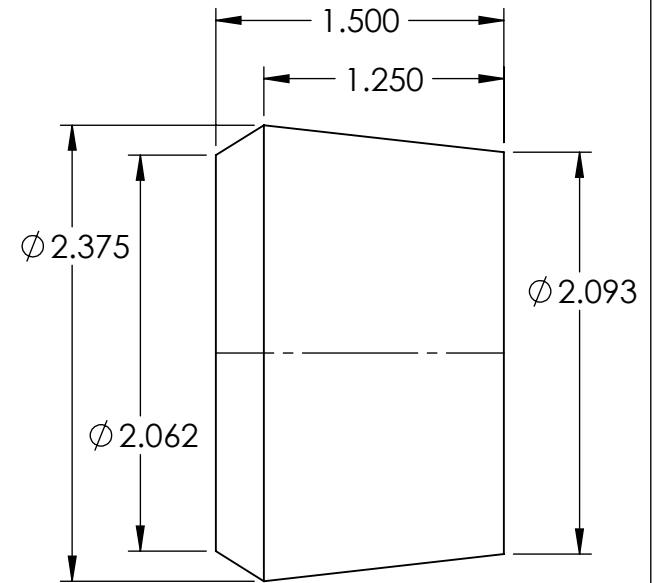
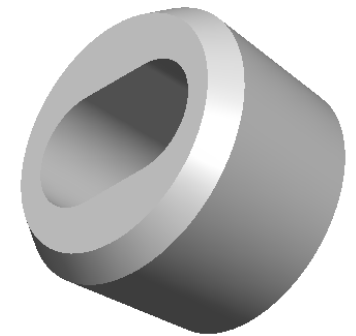


SECTION A-A



NOTES:

1. FLASH TO BE HELD TO A MINIMUM AND MAY NOT WEB ACROSS HOLES.
2. I.D. AND O.D. CONCENTRICITY .020.
3. ALL OTHER DIMENSIONS ±.015.
4. MATERIAL: BLACK NEOPRENE 50-60 DUROMETER



REV.	DATE	CHANGE	UNLESS OTHERWISE SPECIFIED:	NAME	DATE	REMKE INDUSTRIES 310 CHADDICK DR, WHEELING, IL. 60090	
A	3/12/01	DRAWING RELEASED	DIMENSIONS ARE IN INCHES	DRAWN	JCN	9/15	TITLE: BUSHING
B	9/6/15	REDRAWN	TOLERANCES: FRACTIONAL ± 1/64 ANGULAR: MACH ± 1° BEND ± 1° ONE PLACE DECIMAL ± .015 TWO PLACE DECIMAL ± .010 THREE PLACE DECIMAL ± .005	CHECKED			SIZE DWG. NO. A SBF-6029
			INTERPRET GEOMETRIC TOLERANCING PER:	ENG APPR.			SCALE: 1:1
			MATERIAL SEE NOTE	MFG APPR.			SHEET 1 OF 1
			FINISH	Q.A.			
			DO NOT SCALE DRAWING	PROPRIETARY AND CONFIDENTIAL THE INFORMATION CONTAINED IN THIS DRAWING IS THE SOLE PROPERTY OF REMKE INDUSTRIES. ANY REPRODUCTION IN PART OR AS A WHOLE WITHOUT THE WRITTEN PERMISSION OF REMKE INDUSTRIES IS PROHIBITED.			

5

↑

4

3

2

1