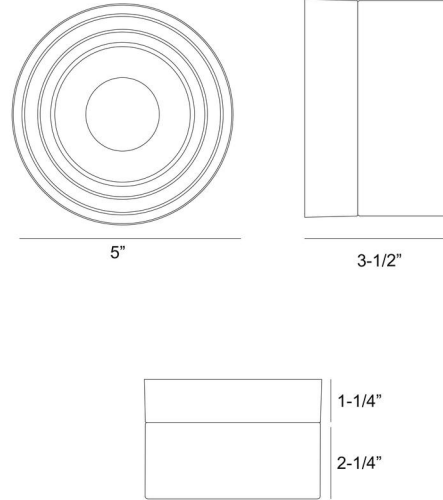


JOB NAME:

DATE:

TYPE:

COMMENTS:



LIGHT INFORMATION

Light Type	Integrated LED
CRI	90
Delivered Lumens	477
Color Temperature	3000K
LED Lifespan (L70)	52000
Number of Lights	1
Light Direction	Ambient
Dimming Method	Triac
Current Type	AC
Input Voltage	120
Total Wattage	10

DIMENSIONS & WEIGHT

Diameter (In)	5
Ext (In)	3.39
Weight (Lbs)	3.09

INSTALLATION

Mounting Type	J-Box
Rating	Wet (IP65)
Hanging Support Type	J-Box

PRODUCT FINISH

Matte Black

SHADE FINISH

Clear Wave Glass

CERTIFICATIONS & COMPLIANCE

