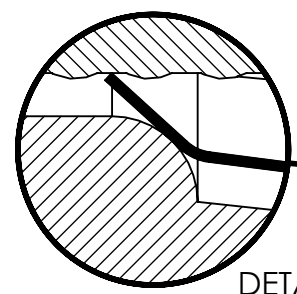
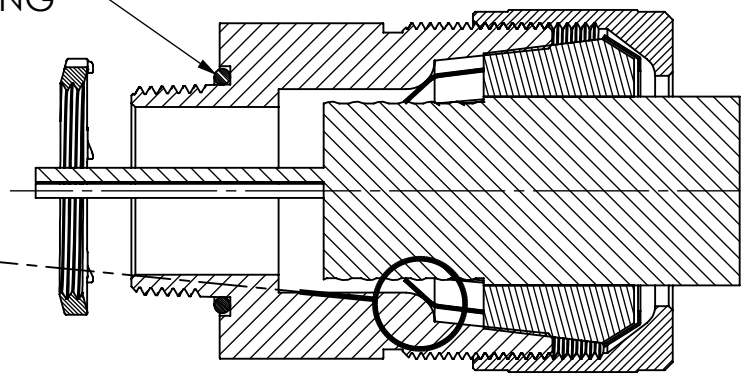


LOCK NUT
OPTIONAL
ADD: L

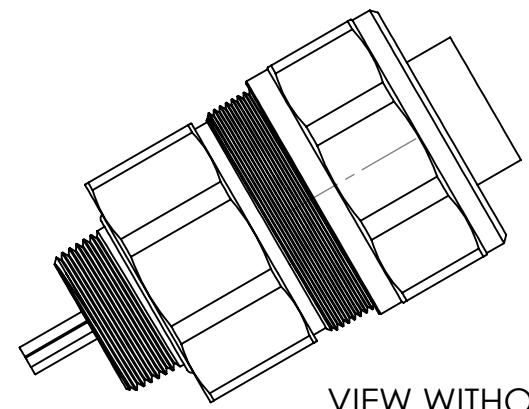
O-RING



DETAIL B
SCALE 2 : 1



SECTION A-A



VIEW WITHOUT
LOCK NUT



REV.	DATE	CHANGE	UNLESS OTHERWISE SPECIFIED:	DRAWN	NAME	DATE	REMKE REMKE INDUSTRIES 310 CHADDICK DR, WHEELING, IL. 60090 TITLE:
A	7/30/14	DRAWING RELEASED	DIMENSIONS ARE IN INCHES TOLERANCES: FRACTIONAL $\pm 1/64$ ANGULAR: MACH $\pm 1^\circ$ BEND $\pm 1^\circ$ ONE PLACE DECIMAL $\pm .015$ TWO PLACE DECIMAL $\pm .010$ THREE PLACE DECIMAL $\pm .005$ INTERPRET GEOMETRIC TOLERANCING PER: MATERIAL STAINLESS FINISH DO NOT SCALE DRAWING	JCN	JCN	7/14	
				CHECKED			SIZE DWG. NO. A RTKSS-125-8 SCALE: 1:1.5 SHEET 1 OF 1
				ENG APPR.			
				MFG APPR.			
				Q.A.			
				PROPRIETARY AND CONFIDENTIAL THE INFORMATION CONTAINED IN THIS DRAWING IS THE SOLE PROPERTY OF REMKE INDUSTRIES. ANY REPRODUCTION IN PART OR AS A WHOLE WITHOUT THE WRITTEN PERMISSION OF REMKE INDUSTRIES IS PROHIBITED.			