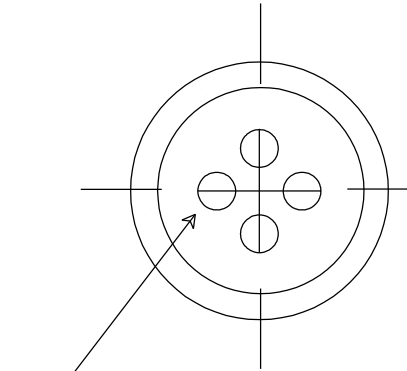
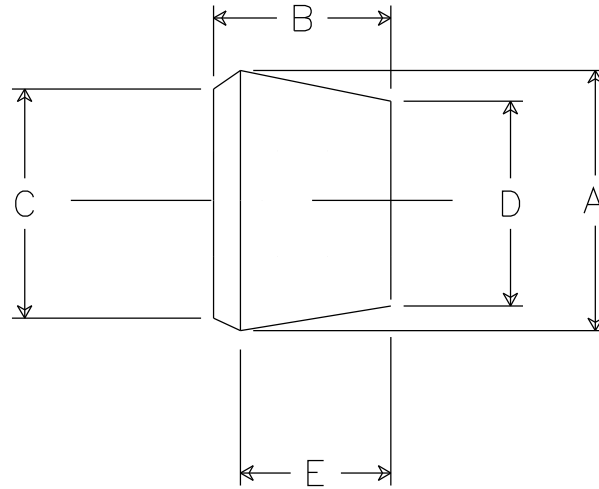


DIMENSIONS

- A 1.281
- B 0.875
- C 1.156
- D 1.031
- E 0.750



FOUR HOLES .187 DIA EVENLY SPACED ON A .406 DIA CIRCLE

HOLE SIZE +/- .010

NOTES:

- 1.0 ANGULAR TOLERANCE +/- 1/2 DEGREE
- 2.) FLASH TO BE HELD TO A MINIMUM AND MAY NOT WEBB ACROSS HOLE DIA.
- 3.) 1D/OD CONCENTRICITY WITHIN .20
- 4.) ALL OTHER DIM +/- .015

REV. A 5-30-00 ADD NOTE ON TOLERANCE

**REMKE INDUSTRIES**  
Wheeling, Illinois 60090

SCALE: APPROX FULL  
MATERIAL: NEOPRENE 50-60 DUROMETER  
FINISH: NATURAL BLACK  
PART NAME: BUSHING  
PART NUMBER: SRB-303-4  
DRAWING DATE: 990428