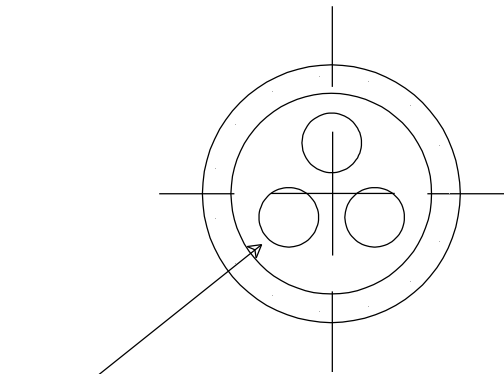
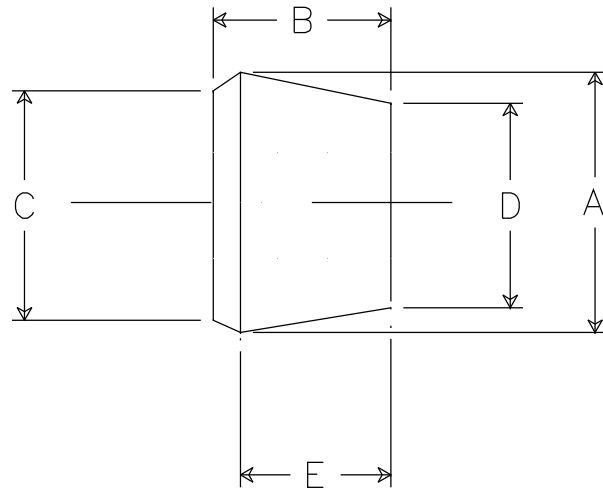


DIMENSIONS

- A 1.281
- B 0.875
- C 1.156
- D 1.031
- E 0.750



THREE HOLES .312 DIA PLACED EVENLY
ON A .500 DIA. CIRCLE

HOLE SIZE +/- .010

REV. A 10/16/00 RELEASE FOR PRODUCTION

NOTES:

- 1.) ANGULAR TOLERANCE +/- 1/2 DEGREE
- 2.) FLASH TO BE HELD TO A MINIMUM
AND MAY NOT WEBB ACROSS HOLE DIA.
- 3.) 1D/OD CONCENTRICITY WITHIN .20
- 4.) ALL OTHER DIM +/- .015

REMKE INDUSTRIES
Wheeling, Illinois 60090

SCALE: APPROX FULL
MATERIAL: NEOPRENE 50-60 DUROMETER
FINISH: NATURAL BLACK
PART NAME: BUSHING
PART NUMBER: SRB-305-3
DRAWING DATE: 001016