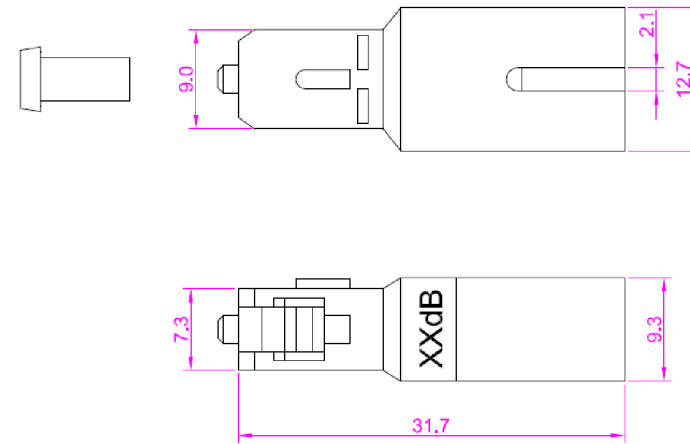
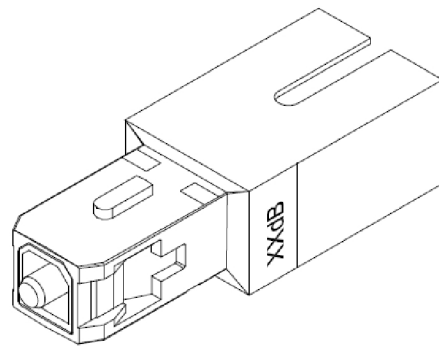



Edition	Indicate	Modifications	Sign	Time



Specification:

1. Attenuation: SM, Metal, Capcolor;
2. Attenuation Tolerance:

Attenuation	Attenuation Tolerance
1 to 9dB	±0.5
10 to 15dB	±1.0
16 to 25dB	±1.5
3. Return loss: RL=-60dB (APC);
4. Operating Temperature: -40~+75degree Celsius

Unit: mm					
Size Tolerance: X ±0.1 X.X ±0.05 X.XX ±0.02 X.XXX ±0.005					Name: SC Fixed attenuator
Design		Material:	Phase Marker	Quality	Proportion
Review			B		
Technology			Page: 1		
Standard					
Approve					