

FEATURES:

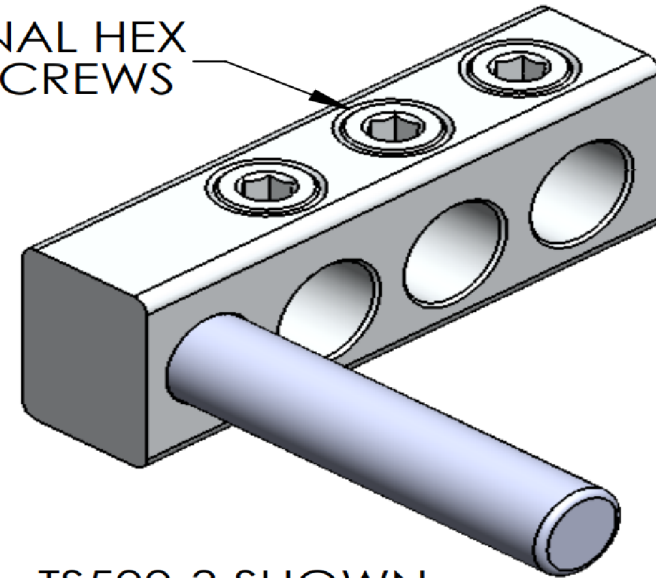
1. Versatile and reusable set-screw connectors made from high strength 6061-T6 aluminum alloy for superior electrical and mechanical performance.
2. Clear plated for low contact resistance; stud is tin plated copper which provides low contact resistance for connection to transformer
3. For use with copper and aluminum conductors
4. Hole configuration varies.

SPECIFICATIONS:

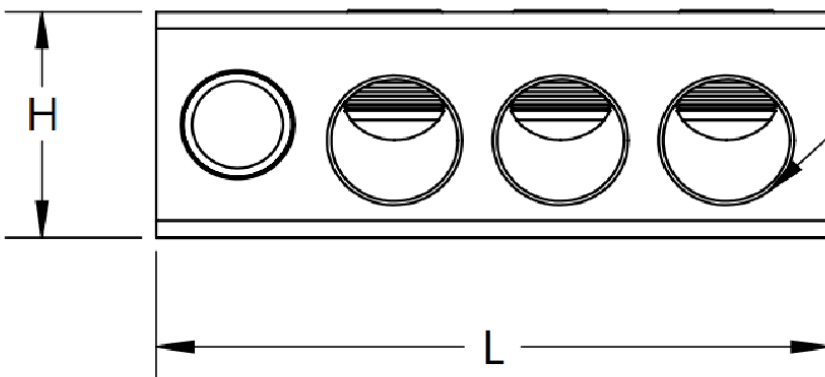
1. Meets or exceeds ANSI C119.4 Class A .
2. Temperature Rating: 90 °C. AL9CU
3. Voltage: 600V max.

TS Series: Aluminum, Dual Rated, Transformer Stud Connectors

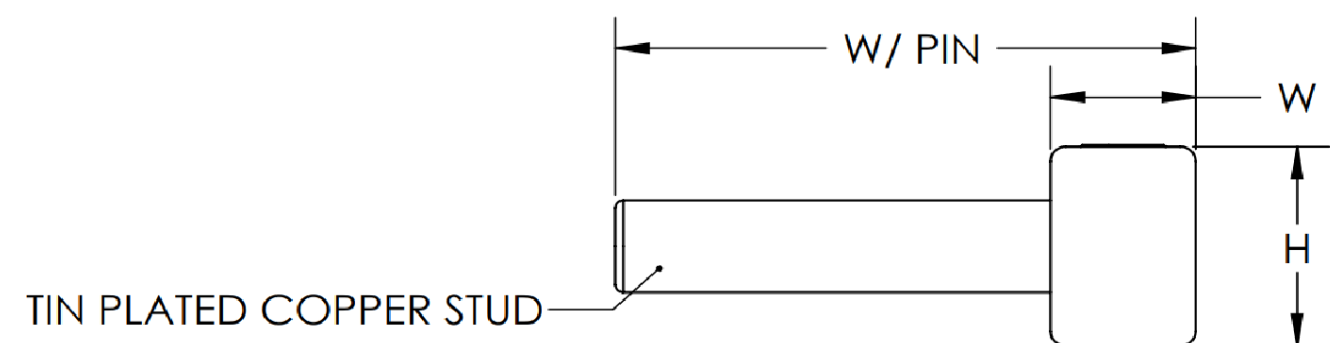
5/16 INTERNAL HEX PRESSURE SCREWS



TS500-3 SHOWN



CONDUCTOR PORT



TIN PLATED COPPER STUD

PART	WIRE RANGE	# OF PORTS	L	H	W	W/ PIN	STUD DIA.
TS 1/0-2	1/0 - 14 AWG	2	2.03	.88	.63	3.00	3/8
TS 1/0-4	1/0 - 14 AWG	4	2.68	.88	.88	3.00	3/8
TS250-2	250KCMIL - 10 AWG	2	2.59	1.13	.88	4.00	1/2
TS250-3	250KCMIL - 10 AWG	3	3.46	1.13	.88	4.00	1/2
TS250-4	250KCMIL - 10 AWG	4	4.32	1.13	.88	4.00	1/2
TS250-6	250KCMIL - 10 AWG	6	6.04	1.13	.88	4.00	1/2
TS250-8	250KCMIL - 10 AWG	8	7.77	1.13	.88	4.00	1/2
TS350-2	350KCMIL - 10 AWG	2	2.95	1.25	.88	4.00	5/8
TS350-2-12	350KCMIL - 10 AWG	2	2.95	1.25	.88	4.00	1/2
TS350-3	350KCMIL - 10 AWG	3	3.95	1.25	.88	4.00	5/8
TS350-4	350KCMIL - 10 AWG	4	4.95	1.25	.88	4.00	5/8
TS350-4-12	350KCMIL - 10 AWG	4	4.95	1.25	.88	4.00	1/2
TS350-6	350KCMIL - 10 AWG	6	6.95	1.25	.88	4.00	5/8
TS350-6-12	350KCMIL - 10 AWG	6	6.95	1.25	.88	4.00	1/25
TS350-8	350KCMIL - 10 AWG	8	8.95	1.25	.88	4.00	5/8
TS500-2	500KCMIL - 10 AWG	2	4.65	1.63	1.13	4.50	3/4
TS500-3	500KCMIL - 10 AWG	3	5.79	1.63	1.13	4.50	3/4
TS500-4	500KCMIL - 10 AWG	4	6.94	1.63	1.13	4.50	3/4
TS500-6	500KCMIL - 10 AWG	6	8.08	1.63	1.13	4.50	3/4
TS500-8	500KCMIL - 10 AWG	8	10.37	1.63	1.13	4.50	3/4
TS750-2	750KCMIL - 1/0	2	4.04	1.75	1.25	5.50	3/4
TS750-4	750KCMIL - 1/0	4	6.72	1.75	1.25	5.50	3/4