





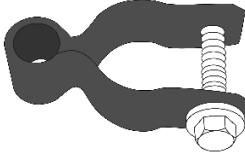

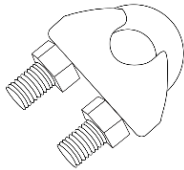
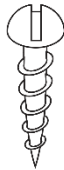



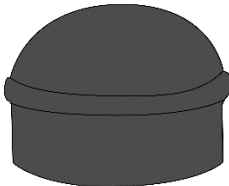




# Dog Fence Sleeved Access Gate Installation Instructions

**Note:** If a tension system was purchased, please refer to tensioning kit instructions **BEFORE** these instructions.

<b>HARDWARE PARTS – DE911100S</b>			
<p><b>A</b></p> <p><b>QTY: 4</b></p>  <p>1 5/8" Brace Band Black</p> <p>SKU: DE8080</p>	<p><b>B</b></p> <p><b>QTY: 4</b></p>  <p>1 5/8" Brace Cup Black</p> <p>SKU: DE8144</p>	<p><b>C</b></p> <p><b>QTY: 4</b></p>  <p>Corner Elbow Hex 1 3/8" Aluminum Black</p> <p>SKU: DE8112</p>	<p><b>D</b></p> <p><b>QTY: 2</b></p>  <p>End Clamp Black Galvanized Steel 1 3/8" x 1 3/8"</p> <p>SKU: DE8154</p>
<p><b>E</b></p> <p><b>QTY: 2</b></p>  <p>Turnbuckle Gate Tension Assembly</p> <p>SKU: DE8464</p>	<p><b>F</b></p> <p><b>QTY: 2</b></p>  <p>Male Hinge Black Galvanized Steel 1 5/8"</p> <p>SKU: DE8212</p>	<p><b>G</b></p> <p><b>QTY: 2</b></p>  <p>Female Hinge Black Galvanized Steel 1 3/8"</p> <p>SKU: DE2830</p>	<p><b>H</b></p> <p><b>QTY: 2</b></p>  <p>Fork Latch Assembly 1 5/8" Black</p> <p>SKU: DE8180</p>
<p><b>I</b></p> <p><b>QTY: 2</b></p>  <p>Monofilament Connector Clip</p> <p>SKU: DE2830</p>	<p><b>J</b></p> <p><b>QTY: 24</b></p>  <p>Self-Tapping Screw 3/4"</p> <p>SKU: DE9978-1</p>	<p><b>K</b></p> <p><b>QTY: 4</b></p>  <p>Carriage Bolt w/Washer &amp; Nut Hot Dip Galvanized - 5/16" x 2"</p> <p>SKU: DE8044</p>	<p><b>L</b></p> <p><b>QTY: 4</b></p>  <p>Carriage Bolt w/Washer &amp; Nut Hot Dip Galvanized - 3/8" x 2"</p> <p>SKU: DE8054</p>
<p><b>M</b></p> <p><b>QTY: 4</b></p>  <p>Carriage Bolt w/Washer &amp; Nut Hot Dip Galvanized - 5/16" x 1 1/2"</p> <p>SKU: DE8042</p>	<p><b>N</b></p> <p><b>QTY: 4</b></p>  <p>1 5/8" Black Dome Post Cap</p> <p>SKU: DE2886-1</p>	<p><b>O</b></p> <p><b>QTY: 1 pk</b></p>  <p>8" High Strength Nylon Self-Locking Ties – 50pk</p> <p>SKU: DE2853</p>	<p><b>P</b></p> <p><b>QTY: 4</b></p>  <p>Black Ground Sleeve for 1 5/8" Post</p> <p>SKU: DE8196</p>

## **Recommended Tools (not included)**

Power Drill with 5/16" Drill Bit

Socket Wrench 5/16" or Adjustable wrenches

Tape Measure

Level

Sledgehammer

Earth Auger/Digging Bar



# Dog Fence Sleeved Access Gate Installation Instructions

1. Layout **two (2) GROUND SLEEVE (P)** where you would like your access gate to go on your fence line. Using the table below, measure out your gate distance between your post going from the **INSIDE** edge of one **GROUND SLEEVE (P)** to the **INSIDE** edge of the opposite **GROUND SLEEVE (P)**.

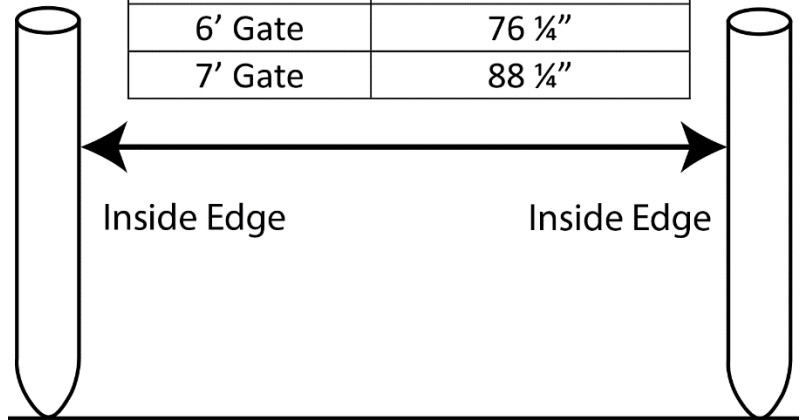
**Note:** It is **EXTREMELY** important to double check the measurement between the **SLEEVES (P)** before proceeding with the next step as it can be difficult to remove the sleeves once in the ground.

Gate Width	Distance between sleeves– <b>INSIDE EDGE TO INSIDE EDGE</b>
3' Gate	40 ¼"
4' Gate	52 ¼"
5' Gate	64 ¼"
6' Gate	76 ¼"
7' Gate	88 ¼"

1.

Measure based on gate width.  
Cross-reference table for exact distance.

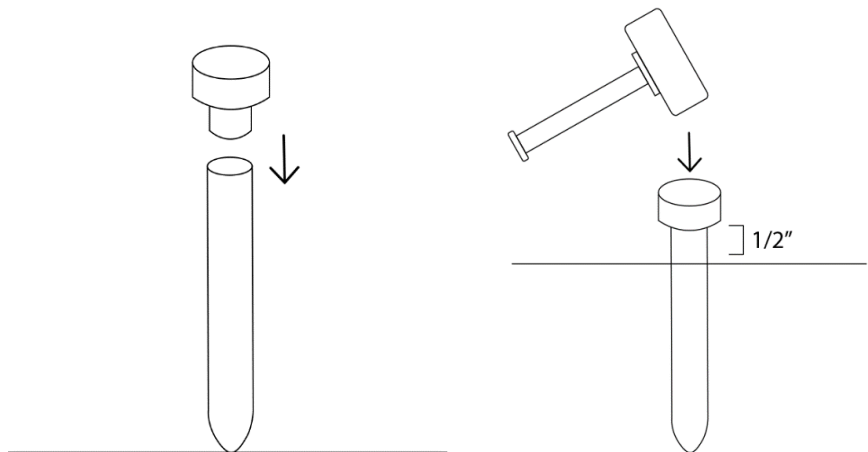
Gate Width	Distance between sleeves– <b>INSIDE EDGE TO INSIDE EDGE</b>
3' Gate	40 ¼"
4' Gate	52 ¼"
5' Gate	64 ¼"
6' Gate	76 ¼"
7' Gate	88 ¼"



2. Using a **DRIVE CAP (Sold Separately; SKU: DE2812)** and a sledgehammer, drive the **GROUND SLEEVES (P)** into the ground where previously measured, leaving ½" above ground to keep out debris and allow for securing the post. Care should be taken to ensure that the sleeves are as straight as possible.

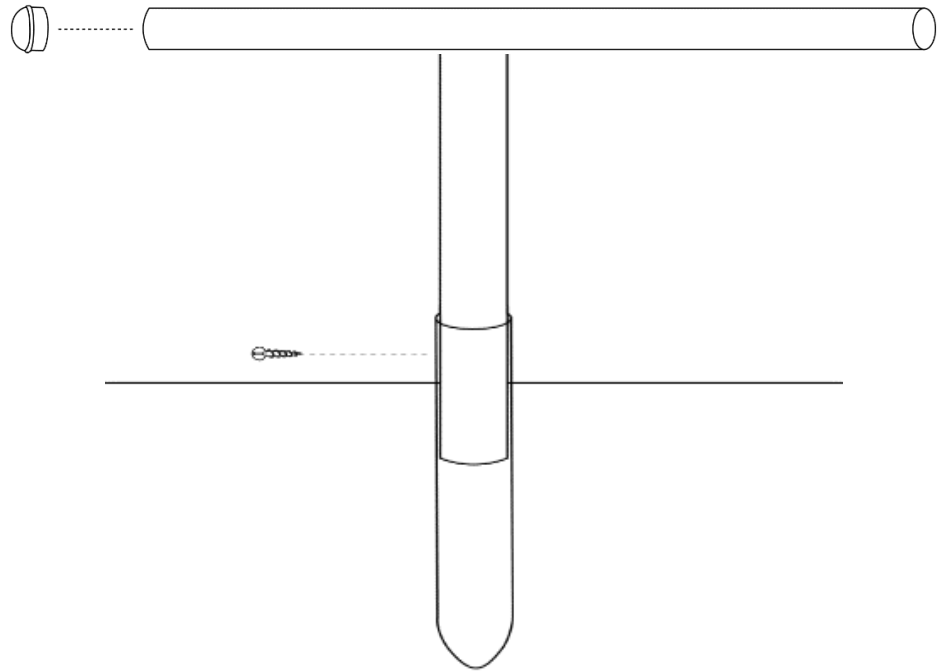
**Note:** On hard ground it may be necessary to use an **EARTH AUGER (Sold Separately; SKU: DE8189)** or **DIGGING BAR** to make a hole before driving the ground sleeves in.

2.



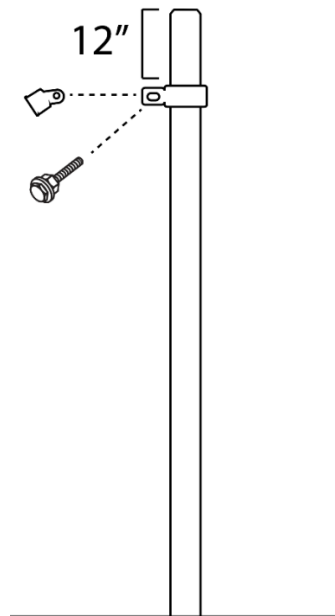
3. Insert the **DOME CAPS (N)** on the top of each **FRAME POST (N)** before sliding into the **GROUND SLEEVES (P)**. Lock posts into place by screwing through the sleeve and into the post using a **SELF-TAPPING SCREW (J)**.

3.



4. Slip **BRACE BAND (A)** and **BRACE CUP (B)** over the **FRAME POST (N)** and position them approximately 12" from the top of the **FRAME POST (N)**. When attaching the **BRACE CUP (B)** to the **BRACE BAND (A)**, position the cup so that the **BRACE POST (E)** will be **in line** with the fence line. Use **CARRIAGE BOLT (M)** to hold the **BRACE BAND (B)** and **BRACE CUP (A)** in position. Do not fully tighten. Repeat step for second **FRAME POST (N)**.

4.

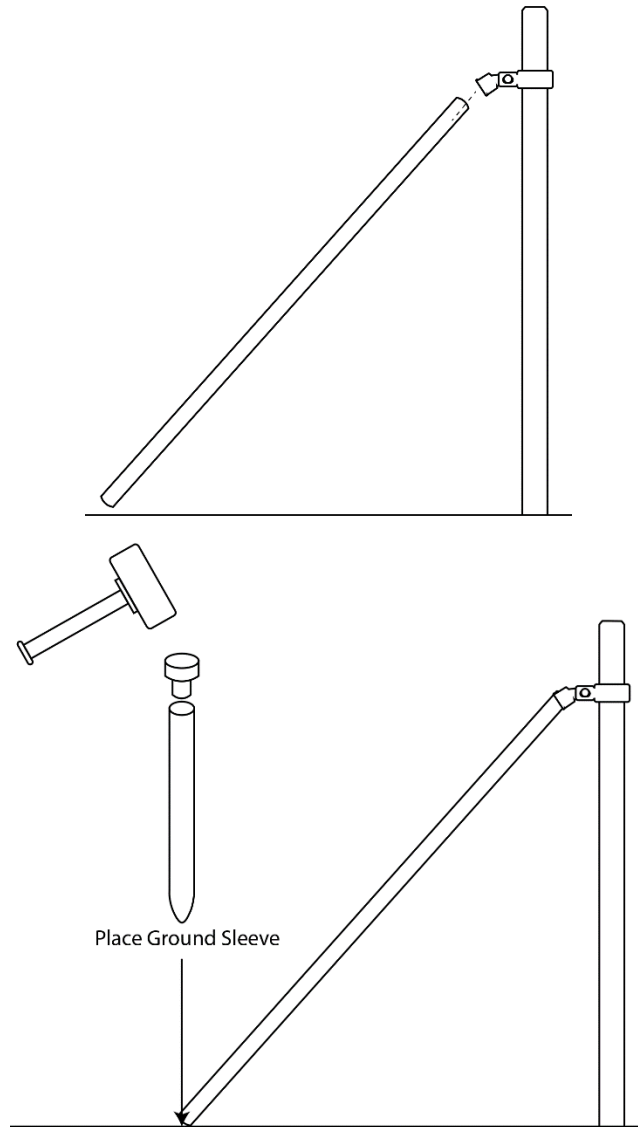


5. After the band is installed, place your **BRACE POST (E)** into the **BRACE CUP (B)** in line with the fence line. Use the table below to measure out from the post where to place your ground sleeve.

Fence Height	Distance from Post
3'	95"
4'	91"
5'	85.5"
6'	77.5"

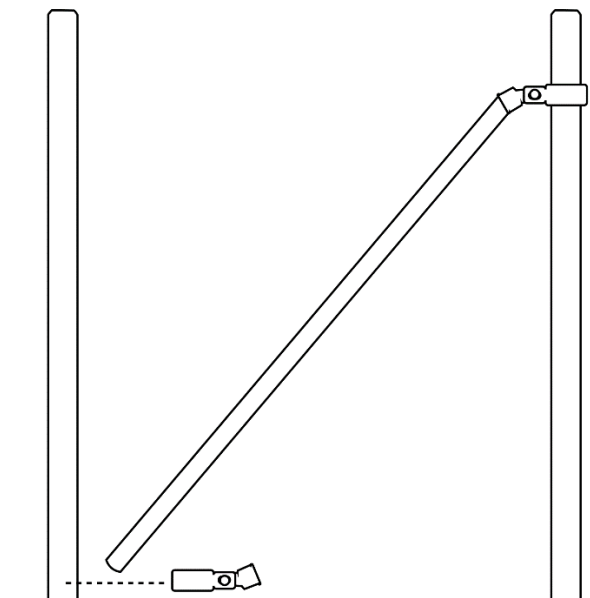
**Note:** The measurement to determine where the ground sleeve needs to go is an estimate. Measurement may change based off uneven terrain and final layout. Dry fit all parts together from **STEPS 4-7** before finalizing ground sleeve placement.

5.



6. Once the **GROUND SLEEVE (P)** is in place, see **STEP 3** for inserting the **LINE POST (N)** into the **GROUND SLEEVE (P)**. Attach a **BRACE BAND (A)** and **BRACE CUP (B)**, see **STEP 4**, to the **BOTTOM** of the **LINE POST (N)**.

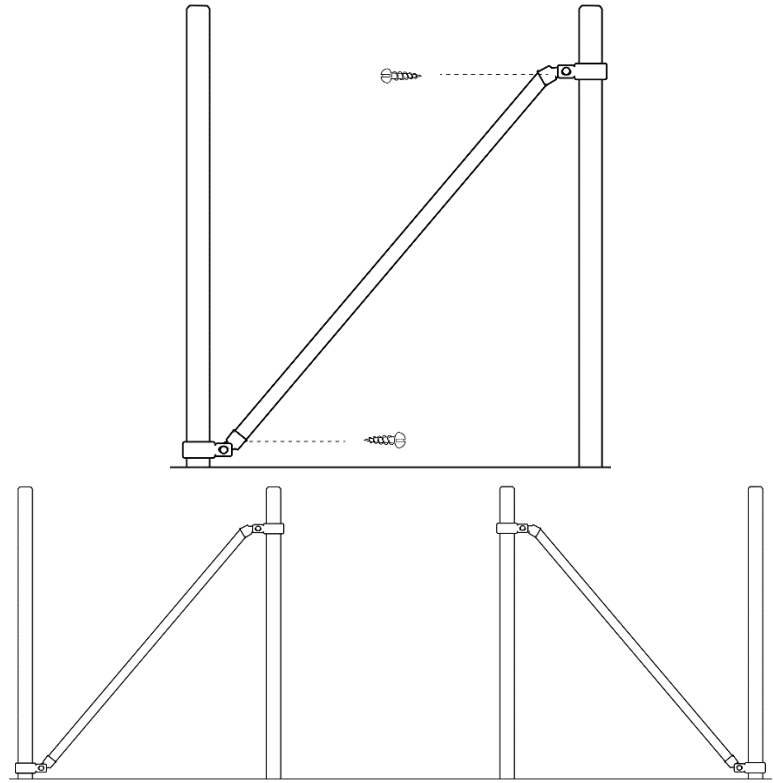
6.



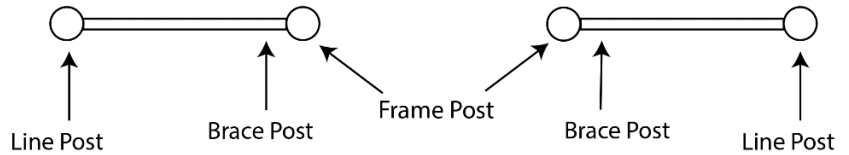
7. Insert the **BRACE POST (E)** into the bottom **BRACE CUP (B)** of the **LINE POST (N)**. Secure the **BRACE POST (E)** by drilling a **SELF-TAPPING SCREW (J)** through both **BRACE CUPS (B)** and **BRACE POST (E)**. Once secured, tighten the **CARRIAGE BOLT (M)** on both **BRACE BANDS (A)**. Repeat steps 5-6 for second **BRACE POST (E)** and **LINE POST (N)**.

**Note:** Based on the height of your system, you will have to adjust the bottom **BRACE BAND AND CUP** to account for the angle of the **BRACE POST (E)**.

7.

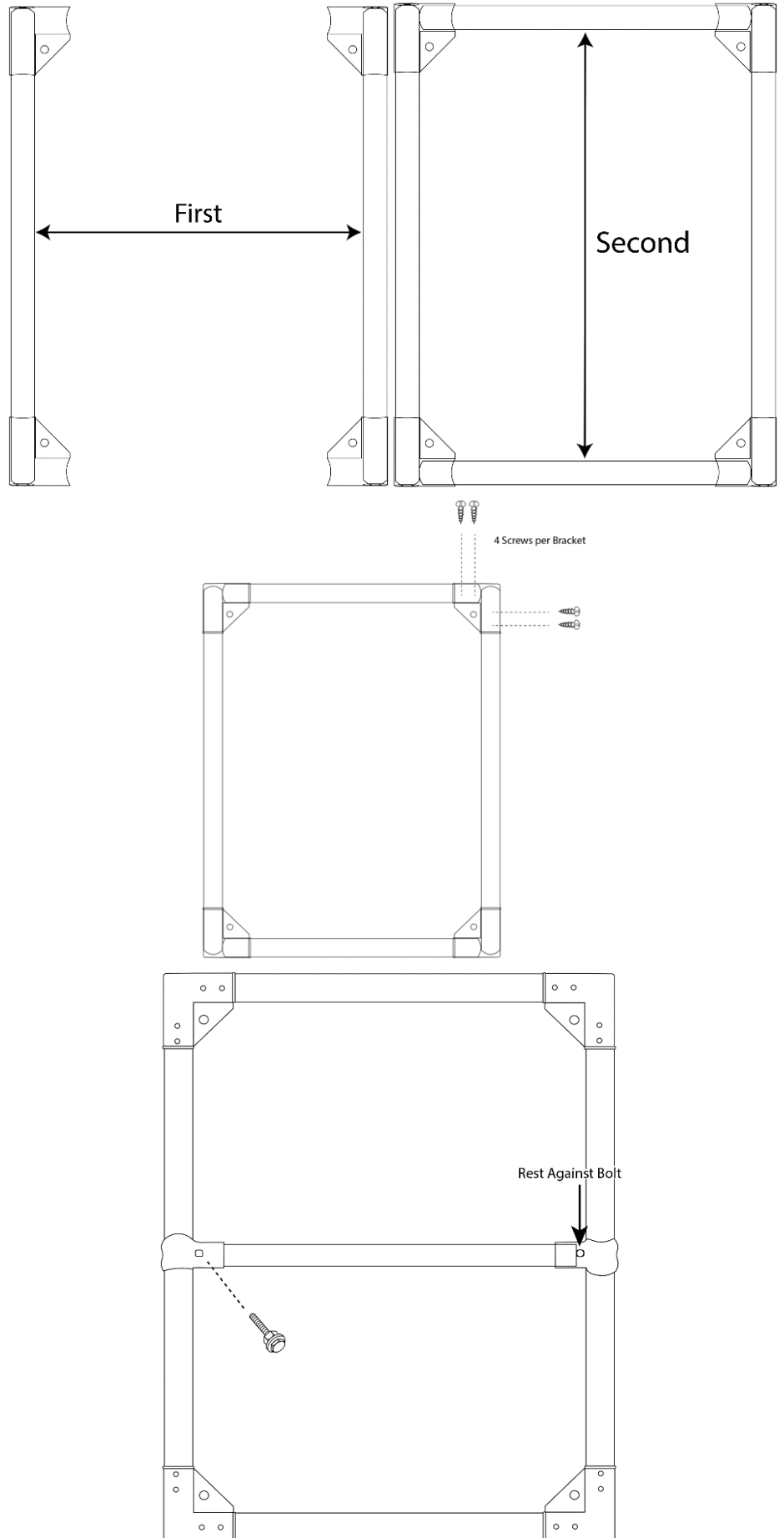


Birds Eye View



8. Insert **VERTICAL GATE DOOR POST (B)** into **CORNER ELBOW (C)**. Then slide in the **HORIZONTAL GATE DOOR POST (C)** into the **CORNER ELBOW (C)** so that it presses tightly against the **VERTICAL POST (B)**. Secure the **POSTS** inside the **CORNER ELBOWS (C)** using **SELF-TAPPING SCREWS (J)**. Finally, attach the **CENTER BAR (D)** on both sides of the **VERTICAL GATE POSTS (B)** with an **END CLAMP (D)** on either end. Secure the **END CLAMP (D)** in place with a **CARRIAGE BOLT (K)** on the **CENTER** of each **VERTICAL GATE POST (B)**.

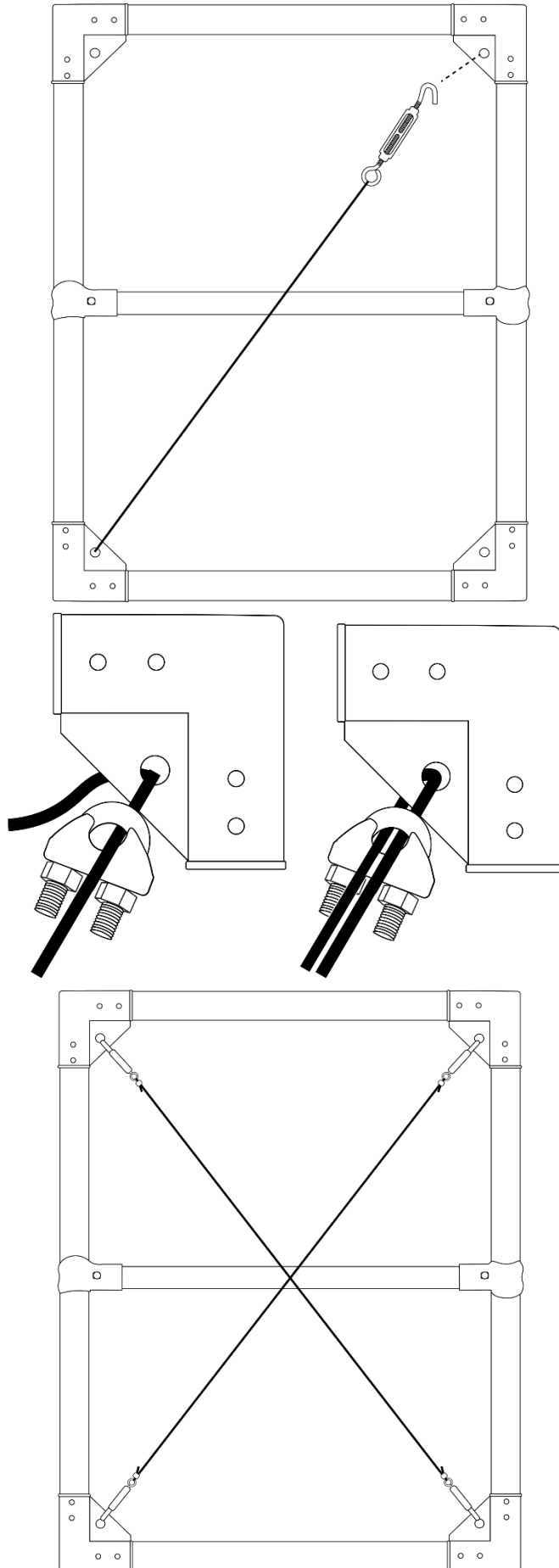
8.





9. Open the **TURNBUCKLE (E)** by twisting both ends. Place the hook end of one **TURNBUCKLE (E)** through the hole in one top **CORNER ELBOW (C)** and stretch the cable diagonally to the hole in the bottom **CORNER ELBOW (C)**. Pass the cable through the **CONNECTION CLIP (I)** and then through the hole in the **CORNER ELBOW (C)**. Pass the end of the cable through the **CONNECTION CLIP (I)** again. Position the **CONNECTION CLIP (I)** close to the **CORNER ELBOW (C)** and tighten using the small nuts. Repeat on the opposite side creating an "X" across the gate. Evenly tighten the **TURNBUCKLES (E)** on each side to keep the gate square.

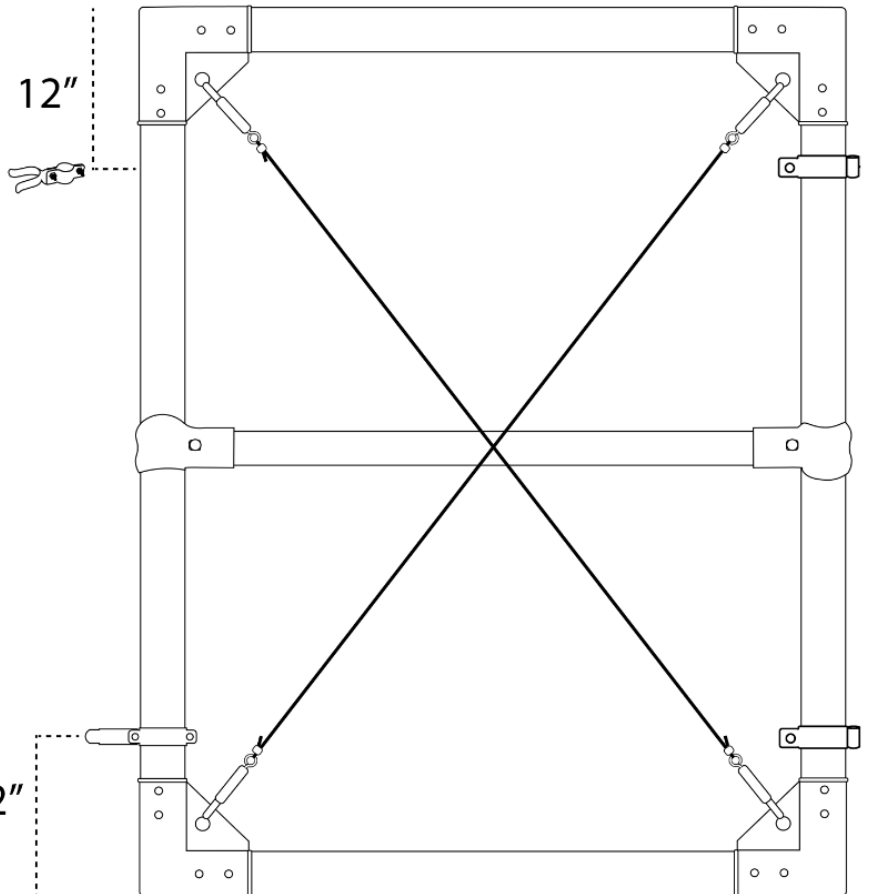
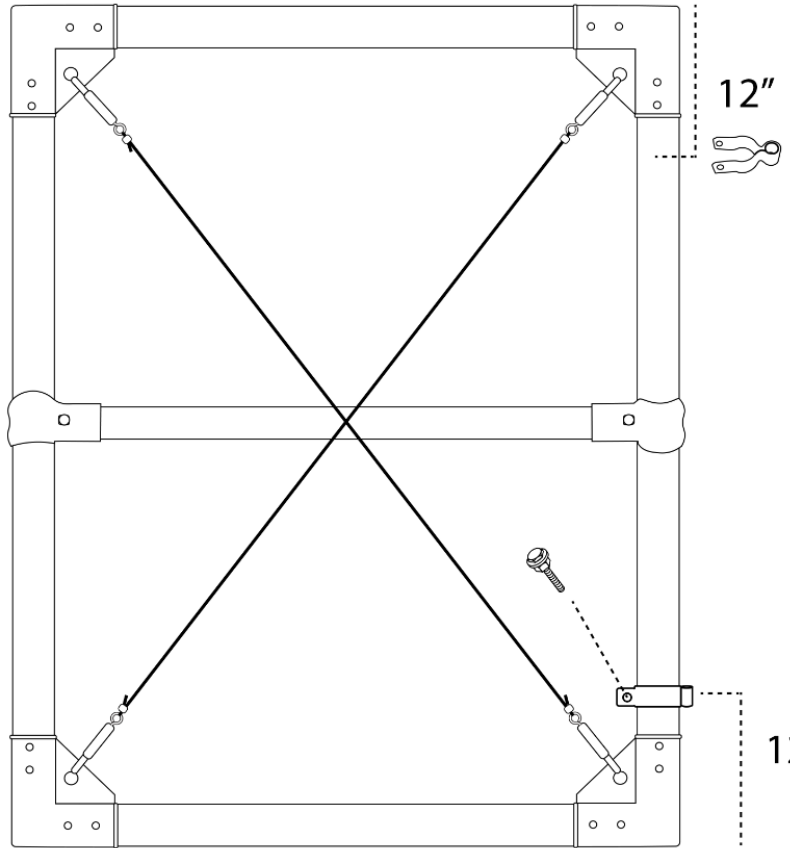
9.



10. On one side of the newly assembled gate door, measure **12"** from the **TOP** and **12"** from the **BOTTOM** of the door. Attached the **FEMALE HINGE (G)** at these marked points with a **CARRIAGE BOLT (L)**. On the opposite side of the gate door, attach the **FORK LATCH (H)** at the same height as the **FEMALE HINGES (G)**; **12"** from the **TOP** and **12"** from the **BOTTOM**.

**Note:** You can attach the hinges and latches to either side of the door frame to accommodate which way it will open in the system.

**10.**



11. Attach the **MALE HINGES (F)** to one side of the **FRAME POST (N)** and secure them with a **CARRIAGE BOLT (L)**. Do not tighten the bolts completely. Position the **GATE DOOR** on the **INSIDE** of the **FRAME POSTS (N)** at the desired height, then slide the **MALE HINGES (F)** up into the **FEMALE HINGES (G)** to attach the gate. Once positioned, you can tighten the **CARRIAGE BOLTS (L)** of the **MALE HINGES (F)**. Finally, cover the entire **GATE DOOR** with your fence mesh (**NOT INCLUDED**) and fasten the mesh to the **GATE DOOR** using **SELF-LOCKING TIES (O)**. Trim excess material as needed.

**Note:** You do not need a tie for every square on the mesh. We recommend 1 tie for every 1' along the pipe of the gate door.

**11.**

