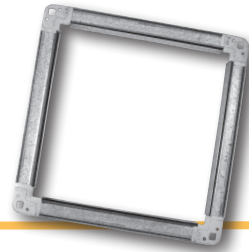




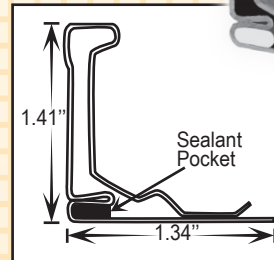
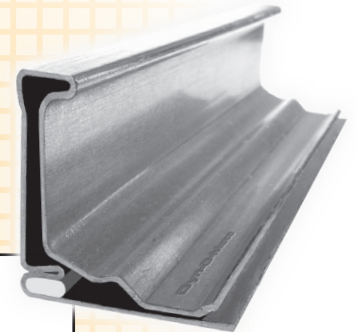
# J SYSTEM



Flange is designed to strengthen the duct wall and connect duct sections together. All Duro Dyne Dyn-O-Mate J Flange is furnished with an **integrated sealant pocket** for a secure air tight fit and **meets SMACNA** rigidity class J for transverse joints (steel). Bundles of 20ft. lengths are available **only** with a Full Truckload order and most styles are available in **specialty metals**. All Dyn-O-Mate Corners in the J System are a skid qty of 48 boxes.

## DOMJ FLANGE J Style (20 gauge) for large commercial and high-pressure applications

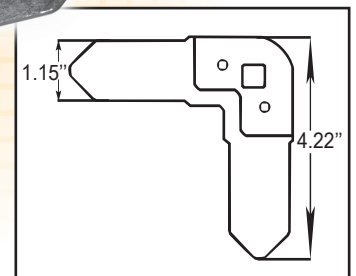
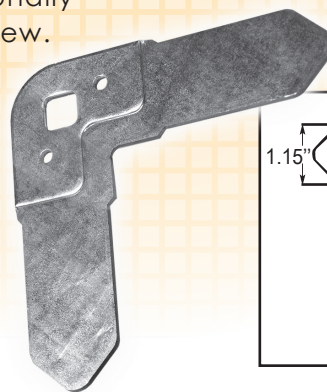
- Designed to strengthen the duct wall and connect duct sections together.
- Furnished with an integrated butyl sealant pocket for a secure air tight fit.
- Manufactured from 20-gauge steel in 10ft., 12ft. & 20ft. lengths.
- DOMJ is designed for large commercial and high-pressure applications.
- Bundles of 20ft. lengths available only with a Full Truckload order.
- Specialty metal available upon request.



Item #	Code	Description	Packaging
21230	DOMJ20	J Flange - 20ft	1000ft./Bundle
21234	DOMJ12	J Flange - 12ft	1200ft./Bundle
21233	DOMJ10	J Flange - 10ft	500ft./Bundle
21236	DOMJ20SS	J Flange - 20ft Stainless Steel	1000ft./Bundle
21238	DOMJ20AL	J Flange - 20ft Aluminum	1000ft./Bundle

## DDJ CORNER J Style (12 gauge)

- J Corners are formed from galvanized G60 or better 12ga USA made steel. For use with J Flange.
- Nuts and Bolts are also sold separately.
- Opposing size alignment holes for aligning flange or optionally making connections using a standard 10x3/4 Pro Point screw.



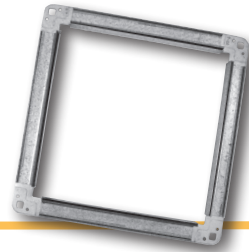
Item #	Code	Description	Packaging
21240	DDJ	J Corner	250/Box
21242	DDJNB	J Corner with 3/8in. Nut & Bolt	250/Box

See other side for more J System corner options.



12/7/2020

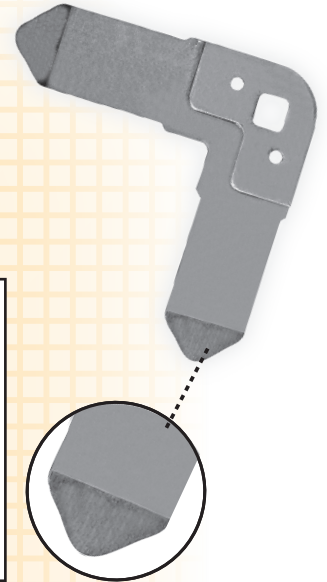
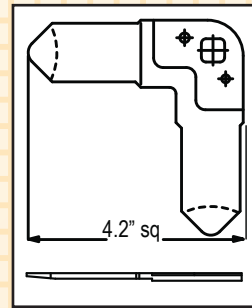
Duro Dyne Corporate Headquarters, Bay Shore, NY  
 631-249-9000 • Fax: 631-249-8346  
 Duro Dyne Midwest • Duro Dyne West • Duro Dyne Canada  
 www.durodyne.com • E-mail: durodyne@durodyne.com



Flange is designed to strengthen the duct wall and connect duct sections together. All Duro Dyne Dyn-O-Mate J Flange is furnished with an **integrated sealant pocket** for a secure air tight fit and **meets SMACNA** rigidity class J for transverse joints (steel). Bundles of 20ft. lengths are available **only** with a Full Truckload order and most styles are available in **specialty metals**. All Dyn-O-Mate Corners in the J System are a skid qty of 48 boxes.

## J SPEED CORNER *J Style (12 gauge)*

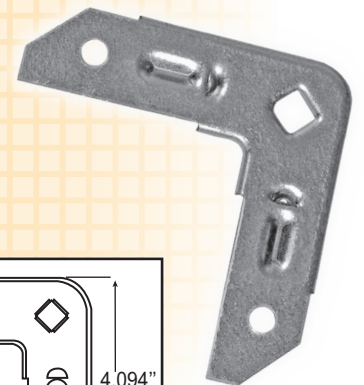
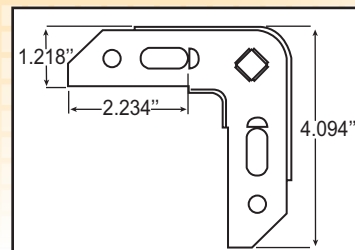
- Speed Corners have tapered coined corner tips for fast/easy hand insertion into the Flange eliminating the need for a tinner's hammer.
- Speed Corners are formed from galvanized G 60 or better 12ga USA made steel. For use with J Flange.
- Opposing size alignment holes for aligning flange or optionally making connections using a standard 10x3/4 Pro Point screw.
- Nuts and Bolts are **also** sold separately.



Item #	Code	Description	Packaging
21094	DDJS	J Speed Corner	250/Box
21095	DDJSNB	J Speed Corner <b>with 3/8" Nuts &amp; Bolts</b>	250/Box

## QUAD CORNER *J Style (16 gauge)*

- Versatile corners that eliminates the need to stock multiple corners!
- Compatible with Dyn-O-Mate® J, Ductmate™ 35, CL Ward™ J, Ward Industries™ J, and Hardcast™ flanges, TDC & TDF connections.
- 16 gauge - The unique design of this corner results in performance like that expected from heavier gauge, but at a lower cost.
- Other materials available upon request.



Item #	Code	Description	Packaging
21270	DDEJ	Quad Corner	250/Box
21277	DDEJ-AL	Aluminum J Quad Corner	250/Box
21278	DDEJ-SS	Stainless Steel J Quad Corner	250/Box
13111	DDEJNB	Quad Corner with 3/8in Nut & Bolt	250/Box

See other side for more J System components.