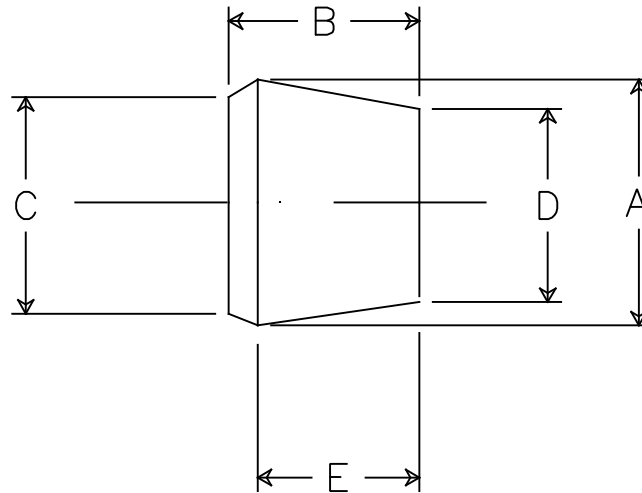
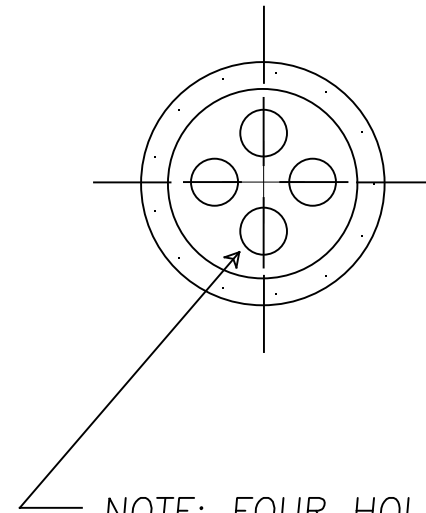


DIMENSIONS

A	1.125
B	0.875
C	1.031
D	0.875
E	0.750



HOLE SIZE



NOTE: FOUR HOLES .218 EVENLY SPACED ON A .450 DIA CIRCLE

HOLE SIZE +/- .010

NOTES:

- 1.0 ANGULAR TOLERANCE +/- 1/2 DEGREE
- 2.) FLASH TO BE HELD TO A MINIMUM AND MAY NOT WEBB ACROSS HOLE DIA.
- 3.) 1D/OD CONCENTRICITY WITHIN .20
- 4.) ALL OTHER DIM +/- .015

REV. A 5-30-00 ADD NOTE ON TOLERANCE

**REMKE INDUSTRIES**  
 Wheeling, Illinois 60090

SCALE:	APPROX FULL
MATERIAL:	NEOPRENE 50-60 DUROMETER
FINISH:	NATURAL BLACK
PART NAME:	BUSHING
PART NUMBER:	SRB-20732-4
DRAWING DATE:	970923