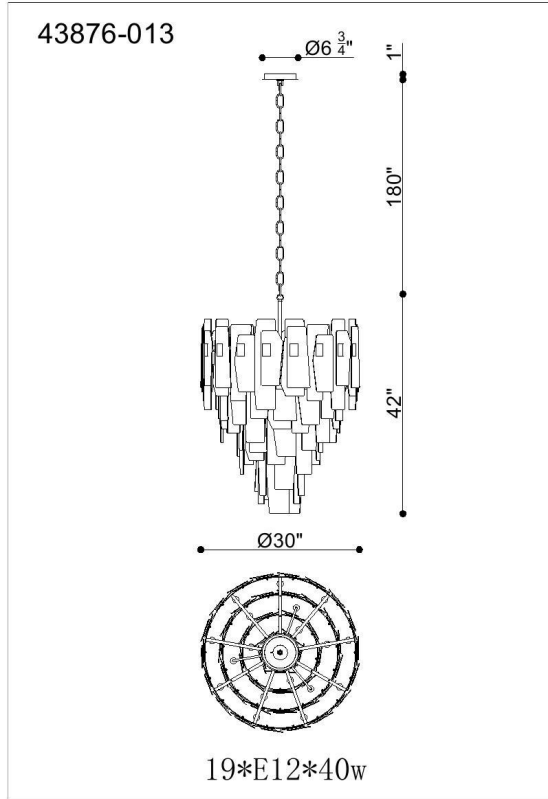


JOB NAME:

DATE:

TYPE:

COMMENTS:



LIGHT INFORMATION

Light Type	Bulb
Bulb Socket	E12
Bulb Shape	B10
Number of Lights	19
Light Direction	Ambient
Dimming Method	Triac/Elv
Current Type	AC
Input Voltage	120
Total Wattage	1140

DIMENSIONS & WEIGHT

Height (In)	42
Min Height (In)	46
Max Height (In)	223
Diameter (In)	30
Weight (Lbs)	125

INSTALLATION

Mounting Type	J-Box
Rating	Dry
Hanging Support Type	Chain

PRODUCT FINISH

Brushed Brass

SHADE FINISH

Rectangular Pane Mixed Glass

CERTIFICATIONS & COMPLIANCE

