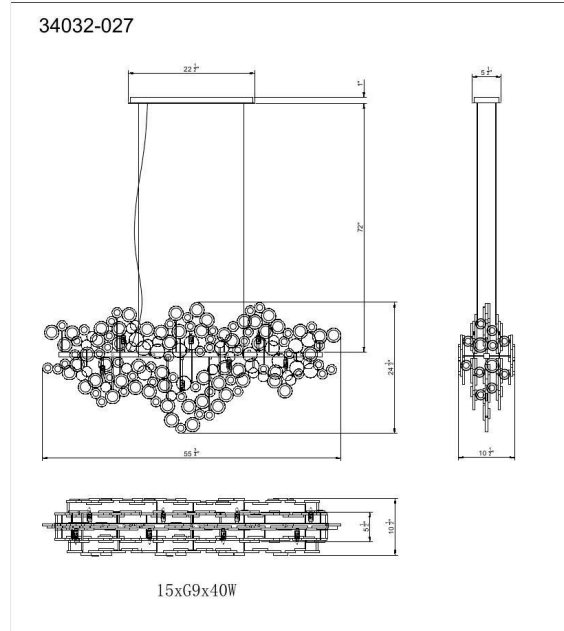


JOB NAME:

DATE:

TYPE:

COMMENTS:



LIGHT INFORMATION

Light Type	Bulb
Bulb Socket	G9
Bulb Shape	G9
Number of Lights	15
Light Direction	Ambient
Dimming Method	Triac/Elv
Current Type	AC
Input Voltage	120
Total Wattage	900

DIMENSIONS & WEIGHT

Length (In)	55.75
Width (In)	10.5
Height (In)	24.5
Min Height (In)	45.5
Max Height (In)	97.5
Weight (Lbs)	44.08

INSTALLATION

Mounting Type	J-Box
Rating	Dry
Hanging Support Type	Aircraft Cable

PRODUCT FINISH

Chrome

SHADE FINISH

Cluster Clear Glass

CERTIFICATIONS & COMPLIANCE

