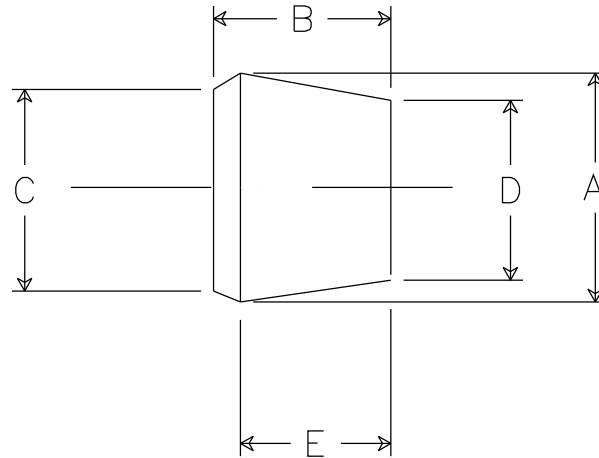
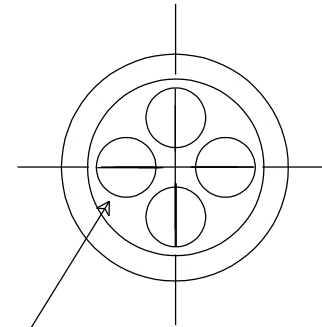


DIMENSIONS

A	1.125
B	0.875
C	1.031
D	0.875
E	0.750



HOLE SIZE



NOTE: 4 HOLES .296 DIA EVENLY SPACED ON A .484 DIA. CIRCLE

HOLE SIZE  $\pm .010$

NOTES:

- 1.0 ANGULAR TOLERANCE  $\pm 1/2$  DEGREE
- 2.) FLASH TO BE HELD TO A MINIMUM AND MAY NOT WEBB ACROSS HOLE DIA.
- 3.) 1D/OD CONCENTRICITY WITHIN .20
- 4.) ALL OTHER DIM  $\pm .015$

**REMKE INDUSTRIES**  
Wheeling, Illinois 60090

SCALE: APPROX FULL  
MATERIAL: NEOPRENE 50-60 DUROMETER  
FINISH: NATURAL BLACK  
PART NAME: BUSHING  
PART NUMBER: SRB-201964-4  
DRAWING DATE: 000926