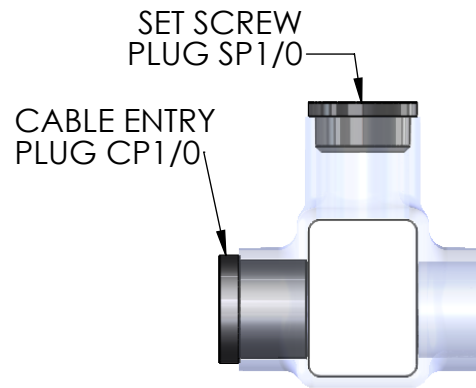
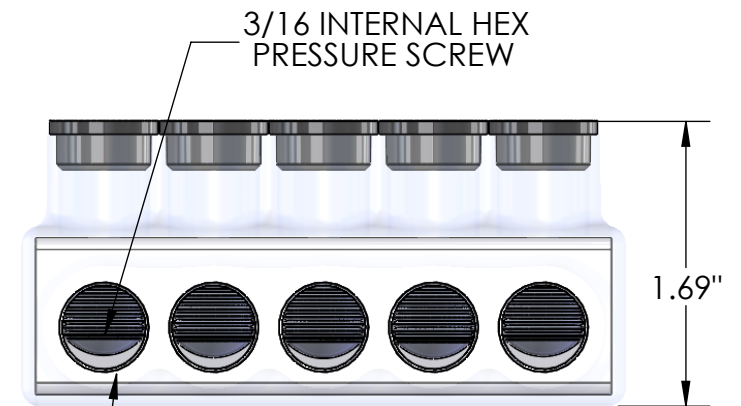


IPLD1/0-5C SHOWN

PART NUMBER	NO. OF PORTS	LENGTH
IPLD1/0-3C	3	2.24
IPLD1/0-4C	4	2.89
IPLD1/0-5C	5	3.54
IPLD1/0-6C	6	4.19
IPLD1/0-8C	8	5.49
IPLD1/0-10C	10	6.79
IPLD1/0-12C	12	8.09
IPLD1/0-14C	14	9.39



WIRE ENTRY PORT  
WIRE RANGE: 1/0 - #14 AWG  
PRE-FILLED W/ OXIDE INHIBITOR



CONTACT NSI FOR SALES @ 800.321.5847

NOTES:

- CONNECTOR MANUFACTURED FROM 6061-T6 ALUMINUM ALLOY.
- UL LISTED PER UL486A/B SPECIFICATIONS FOR 600V.
- DUAL RATED FOR 90°C COPPER AND/OR ALUMINUM CONDUCTOR.
- COLD TEMPERATURE RATED TO -45°C.
- HIGH DIELECTRIC STRENGTH INSULATION IS ABRASION AND CHEMICAL RESISTANT.

		<b>POLARIS</b> SALES . CO . INC	
PROPRIETARY AND CONFIDENTIAL		11625 PROSPEROUS DRIVE ODESSA, FL 33556	
THE INFORMATION CONTAINED IN THIS DRAWING IS THE SOLE PROPERTY OF POLARIS SALES CO. INC. ANY REPRODUCTION IN PART OR AS A WHOLE WITHOUT THE WRITTEN PERMISSION OF POLARIS SALES CO. INC. IS PROHIBITED.		TITLE: <b>CLEAR INSULATED DUAL ENTRY 1/0 CONNECTOR</b>	
NAME		DATE	
DRAWN BY T.MITCHELL		11/2021	
MATERIAL: N/A		SCALE: N/A	
DWG. NO. <b>IPLD1/0C SERIES</b>		SHEET: 1 OF 1	