

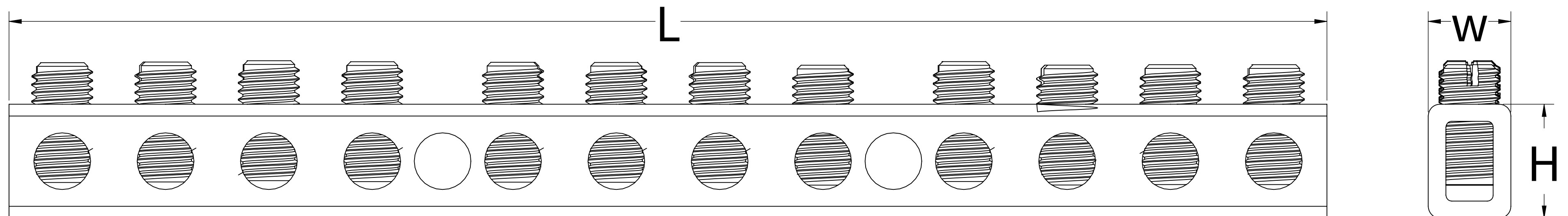
FEATURES:

1. NSi copper neutral connectors are manufactured from high strength pure electrolytic copper tube to ensure both maximum strength and conductivity.
2. Plain copper finish.
3. Suitable for use with copper conductors only

SPECIFICATIONS:

1. Temperature Rating: 90 °C.
2. Voltage: 600V.

CN Series: Copper Neutral Connectors



CAT. NO.	LINE RANGE	NO. OF CIRCUTS	CIRCUT RANGE	MTG. HOLES	LENGTH (IN.)	HEIGHT (IN.)	WIDTH (IN.)	STD. CTN. QTY.
CN70-10-1	4-14	8	6-14	2 x .20	4.370	0.750	0.340	100
CN70-14-1	4-14	12	6-14	2 x .20	5.582	0.4825	0.340	100