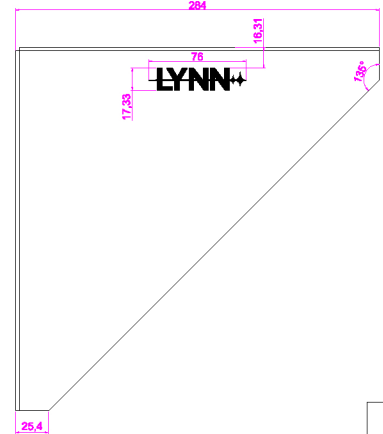
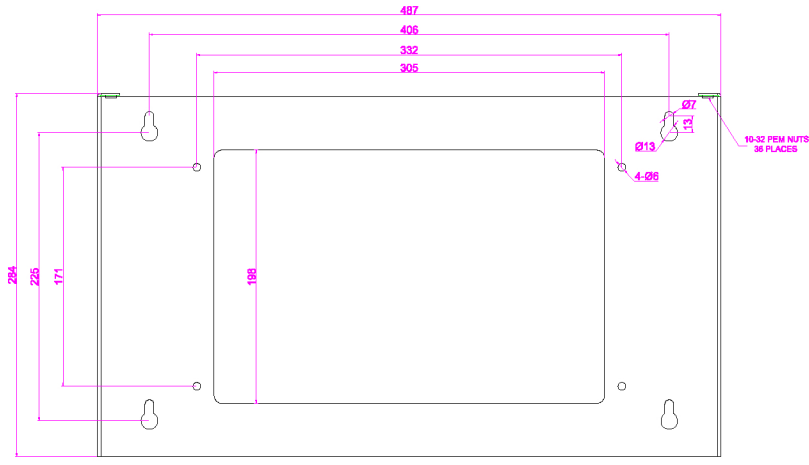
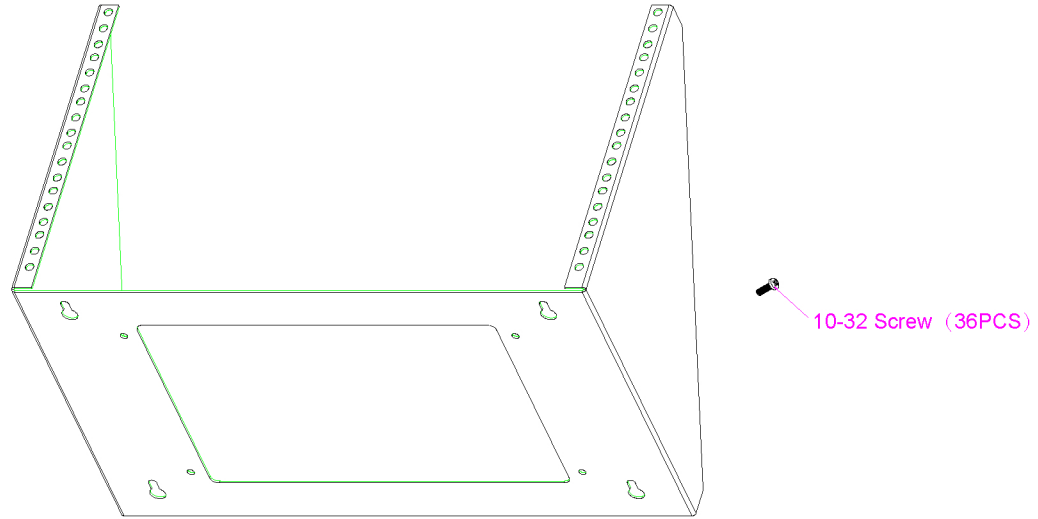
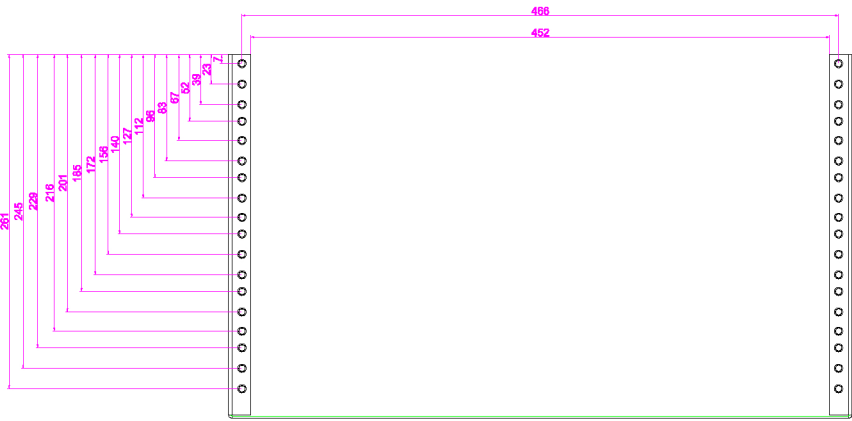


CHANGE			
EDIT	MODIFICATION	DATE	SIGNATURE



Material:
SPCC with Black color painting

PRODUCT NO		DESCRIPTION				AWG NO	
MATERIAL		UNIT	MM	SCALE	1:1		
DIMENSIONAL TOLERANCE		THIRD ANGLE PROJECTION		DRAWN	DATE		
X.X		[Symbol]		CHECK	DATE		
X.XX		[Symbol]		APPROVAL	DATE		
X.XXX		[Symbol]			DATE		
ANGLE		1°			DATE		



PRODUCT NO	SPCC T=1.8	UNIT	MM	SCALE	1:1	AWG NO	
DIMENSIONAL TOLERANCE	X.X ±0.3	THIRD ANGLE PROJECTION		DRAWN		DATE	29-12-2017
X.XX ±0.10	[Symbol]		CHECK			DATE	
X.XXX ±0.050	[Symbol]		APPROVAL			DATE	
ANGLE	1°					DATE	